

# TABLE OF CONTENTS

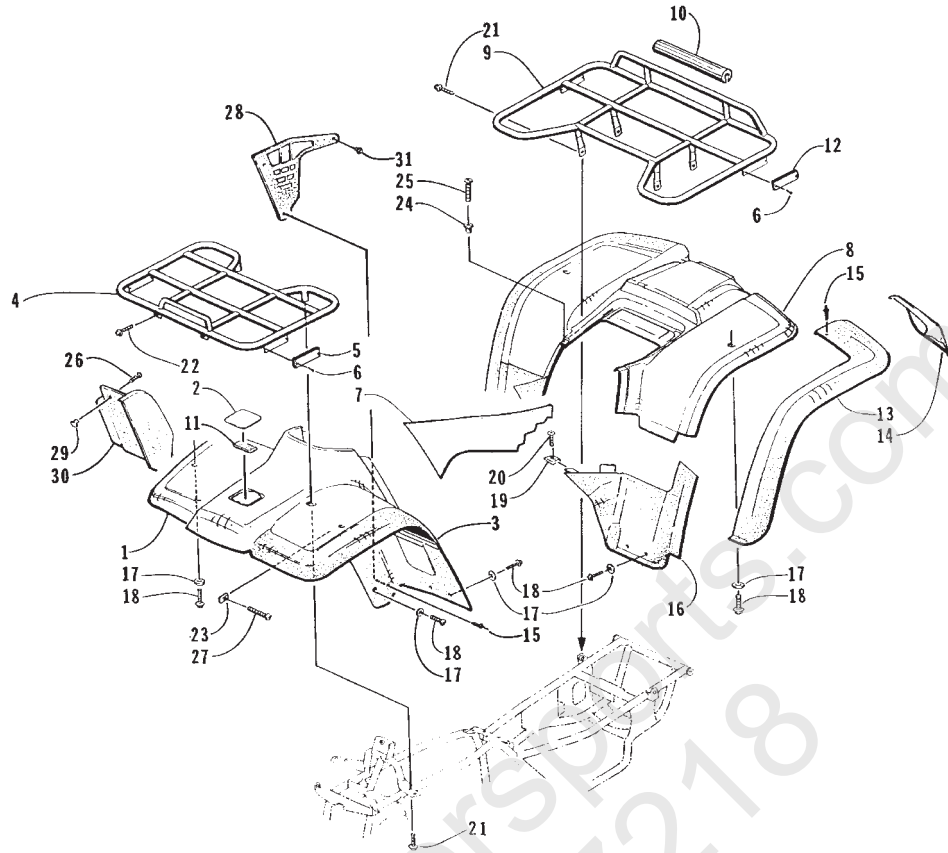
## ATV 300 2x4 — ATV 300 4x4

(Model No. 98A2C-AP)

(Model No. 98A4C-AP)

AIR INTAKE ASSEMBLY . . . . .	15	B3
BODY PANEL ASSEMBLY . . . . .	1	A3
CAM CHAIN ASSEMBLY . . . . .	28	C2
CAM SHAFT VALVE ASSEMBLY . . . . .	27	C1
CARBURETOR . . . . .	20	B8
CLUTCH ASSEMBLY . . . . .	31	C5
CONTROL SWITCH HOUSING ASSEMBLY . . . . .	40	C14
CRANKCASE ASSEMBLY . . . . .	23	B11
CRANKCASE COVER ASSEMBLY . . . . .	24	B12
CRANKSHAFT ASSEMBLY . . . . .	25	B13
CYLINDER ASSEMBLY . . . . .	22	B10
CYLINDER HEAD ASSEMBLY . . . . .	21	B9
DECALS . . . . .	3	A5
DIFFERENTIAL GEAR ASSEMBLY (4X4 ONLY) . . . . .	36	C10
DIFFERENTIAL LOCK ASSEMBLY (4X4 ONLY) . . . . .	37	C11
ELECTRICAL COMPONENTS . . . . .	19	B7
ENGINE AND RELATED PARTS . . . . .	17	B5
FRAME AND RELATED PARTS . . . . .	4	A6
FRONT SUSPENSION ASSEMBLY . . . . .	7	A9
FUEL TANK ASSEMBLY . . . . .	13	B1
GEAR SHIFTING ASSEMBLY . . . . .	35	C9
HYDRAULIC BRAKE ASSEMBLY . . . . .	12	A14
HYDRAULIC BRAKE CONTROL ASSEMBLY . . . . .	11	A13
MAGNETO ASSEMBLY . . . . .	39	C13
MECHANICAL BRAKE ASSEMBLY . . . . .	10	A12
OIL COOLER ASSEMBLY . . . . .	18	B6
OIL PUMP ASSEMBLY . . . . .	30	C4
REAR SUSPENSION ASSEMBLY . . . . .	8	A10
RECOIL STARTER ASSEMBLY . . . . .	29	C3
RELATED ITEMS . . . . .	Back Cover	D2
REVERSE SHIFT LEVER ASSEMBLY . . . . .	14	B2
SEAT ASSEMBLY . . . . .	5	A7
SECONDARY GEAR/PROPELLER SHAFT ASSEMBLY . . . . .	34	C8
SECONDARY TRANSMISSION ASSEMBLY . . . . .	33	C7
SHIFTER ASSEMBLY . . . . .	16	B4
STARTER CLUTCH ASSEMBLY . . . . .	26	B14
STARTER MOTOR ASSEMBLY . . . . .	38	C12
STEERING ASSEMBLY . . . . .	6	A8
TAILLIGHT ASSEMBLY . . . . .	2	A4
THROTTLE CASE ASSEMBLY . . . . .	41	D1
TRANSMISSION ASSEMBLY . . . . .	32	C6
WHEEL AND TIRE ASSEMBLY . . . . .	9	A11

**NOTE:** The illustrations used in this Parts Manual are for reference to replacement part numbers only and are not to be used for assembly. For assembly procedures, use Arctic Cat Service Manuals. Underlined part numbers are new for the 1998 model year.

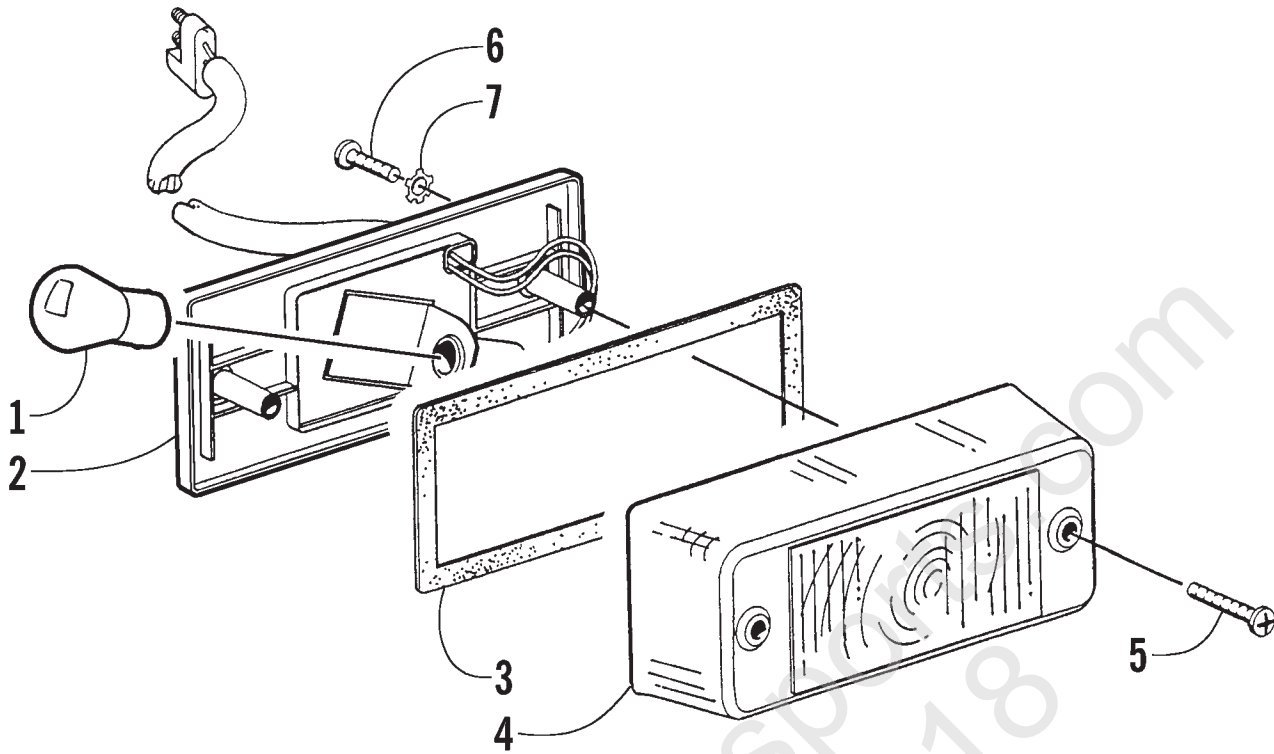


## BODY PANEL ASSEMBLY

0733-613 \*Not Illustrated

Ref.	Part No.	Qty.	Description	Ref.	Part No.	Qty.	Description
1	<u>0506-257</u>	1	Panel, Fender - Front (4x4)	16	0506-160	1	Fender Extension - Rear Right (4x4)
	<u>0506-239</u>	1	Panel, Fender - Front (2x4)		0506-161	1	Fender Extension - Rear Left (4x4)
2	0506-153	1	Cover, Access		0406-084	1	Fender Extension - Rear Right (2x4)
3	<u>0506-274</u>	1	Flare - Front Right (4x4)		0406-085	1	Fender Extension - Rear Left (2x4)
	<u>0506-275</u>	1	Flare - Front Left (4x4)	17	0423-010	25	Washer, Body (4x4)
4	<u>0506-191</u>	1	Rack - Front		0423-010	22	Washer, Body (2x4)
5	0606-526	2	Reflector - Yellow	18	8474-616	25	Screw, Machine (4x4)
6	0623-269	8	Clip, Retaining		8474-616	22	Screw, Machine (2x4)
7	<u>0506-242</u>	1	Panel, Side - Right	19	0423-060	2	Clip, Tinerman
	<u>0506-243</u>	1	Panel, Side - Left	20	0623-309	2	Screw, Self-Tapping
8	<u>0506-258</u>	1	Panel, Fender - Rear (4x4)	21	8409-020	6	Screw, Cap
	<u>0506-245</u>	1	Panel, Fender - Rear (2x4)	22	8408-812	2	Screw, Cap
9	<u>0506-190</u>	1	Rack - Rear	23	0423-031	2	Nut, Speed
10	0406-293	1	Wrap, Tube - Rear Rack	24	0123-010	2	Nut, Expansion
11	0417-002	1	Foam, Access Panel	25	0423-068	2	Screw, Machine
12	0606-029	2	Reflector - Red	26	8477-610	4	Screw, Machine
13	0406-082	1	Flare - Rear Right (4x4)	27	8476-616	2	Screw, Machine
	0406-083	1	Flare - Rear Left (4x4)	28	<u>0406-374</u>	2	Panel, Deflector
14	0406-086	1	Mud Flap - Right (4x4)	29	0423-074	4	T-Nut
	0406-087	1	Mud Flap - Left (4x4)	30	<u>0506-272</u>	1	Flare - Front Right (2x4)
15	0423-046	58	Rivet, Plastic (4x4)		<u>0506-273</u>	1	Flare - Front Left (2x4)
	0423-046	10	Rivet, Plastic (2x4)	31	0623-362	2	Rivet, Plastic
				32	0619-230	1	Foil, (3 in. x 24 in.)*

300 2x4  
300 4x4

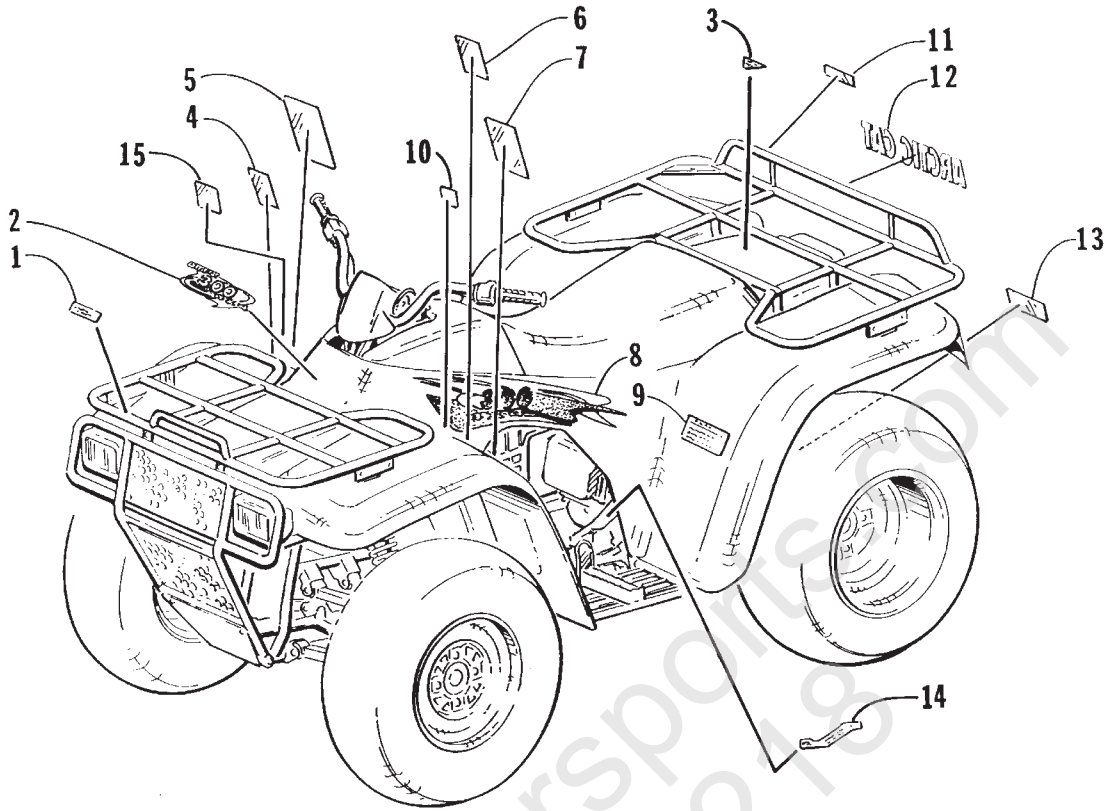


## TAILLIGHT ASSEMBLY

(Complete Taillight Assembly p/n 0409-002)

0732-336

Ref.	Part No.	Qty.	Description	Ref.	Part No.	Qty.	Description
1	0109-460	1	Bulb, Stop - Taillight	5	0409-010	2	Screw, Machine
2	0409-011	1	Taillight w/Socket-Assembly	6	0623-301	2	Screw, Self-Tapping
3	0409-012	1	Gasket, Taillight	7	8053-212	2	Washer, Lock - External Tooth
4	0409-007	1	Lens, Taillight				

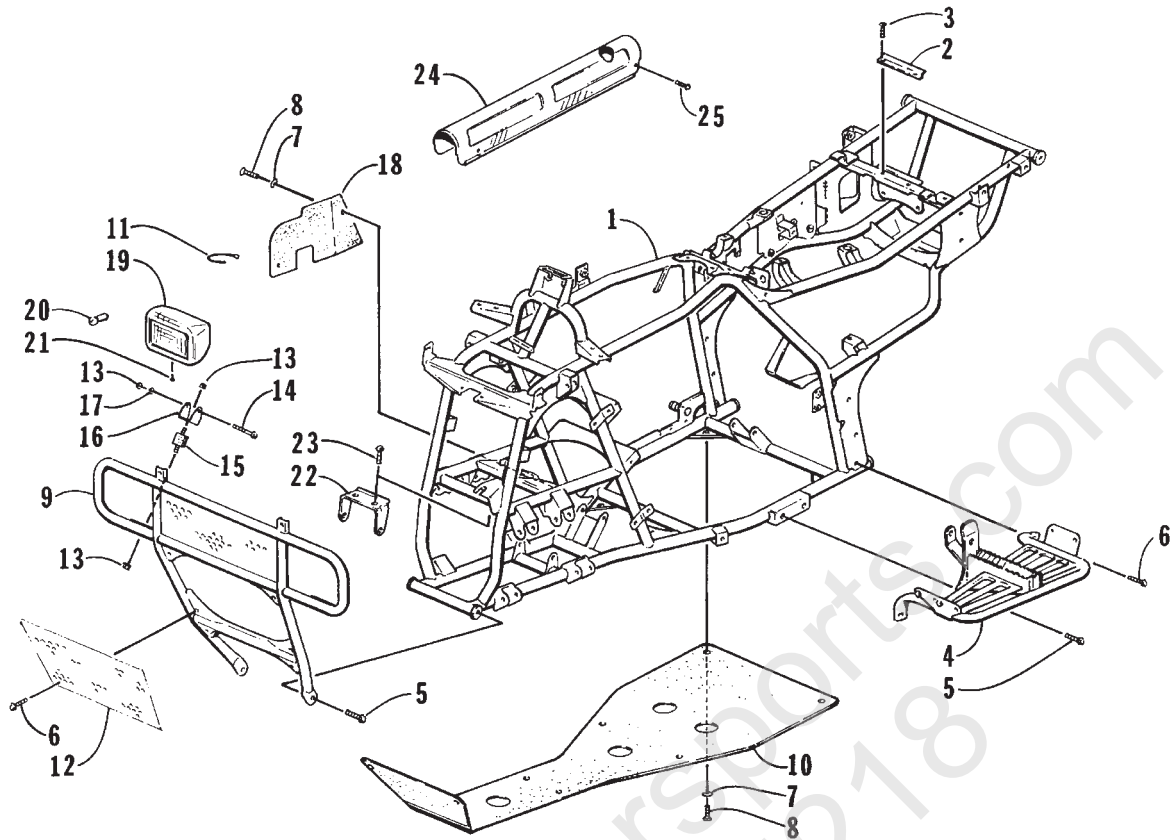


## DECALS

0733-614

Ref.	Part No.	Qty.	Description	Ref.	Part No.	Qty.	Description
1	0411-082	1	Decal, Warning - Front Rack Load	9	0411-096	1	Decal, Warning - Tire Pressure (4x4)
2	0411-109	1	Decal, Front (4x4)		0411-089	1	Decal, Warning - Tire Pressure (2x4)
	0411-108	1	Decal, Front (2x4)	10	0411-086	1	Decal, Shift Pattern
3	3611-002	1	Decal, "Made In U.S.A."	11	0411-083	1	Decal, Warning - Rear Rack Load
4	0411-045	1	Decal, Warning - Turn	12	0411-043	1	Decal, "Arctic Cat"
5	0411-008	1	Decal, Warning Reverse/Pre Ride	13	0411-142	1	Decal, Warning - Towing
6	0411-040	1	Decal, Warning - Age	14	0411-090	1	Decal, Hi/Low Range (4x4)
7	0411-010	1	Decal, Warning - General		0411-088	1	Decal, Hi/Low Range (2x4)
8	0411-110	1	Decal, Side Right (4x4)	15	0411-145	1	Decal, 2x4/4x4 Shift
	0411-111	1	Decal, Side Left (4x4)				
	0411-106	1	Decal, Side Right (2x4)				
	0411-107	1	Decal, Side Left (2x4)				

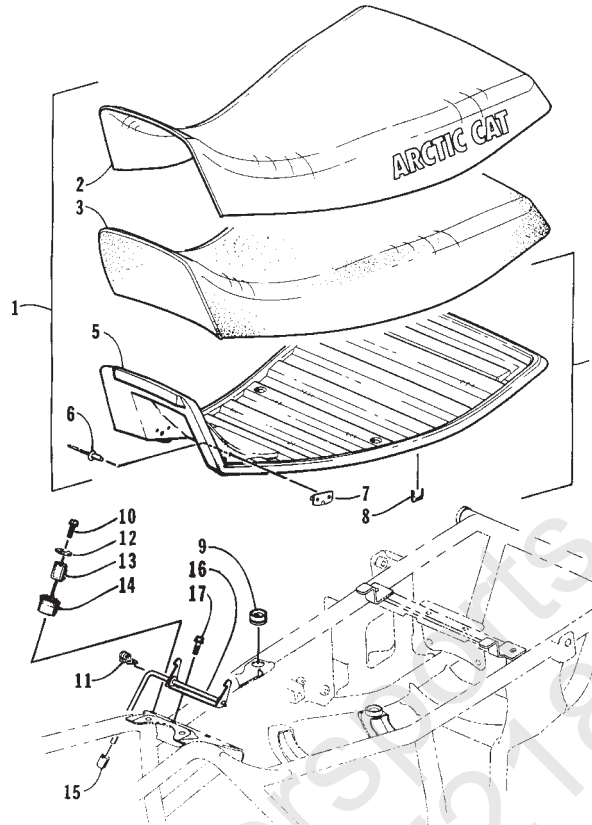
300 2x4  
300 4x4



## FRAME AND RELATED PARTS

0733-713

Ref.	Part No.	Qty.	Description	Ref.	Part No.	Qty.	Description
1	<u>0506-270</u>	1	Frame, Main (4x4)	13	8424-802	6	Nut
	<u>0506-188</u>	1	Frame, Main (2x4)	14	8408-850	2	Screw, Cap
2	<u>0406-372</u>	1	Bracket, Body Holddown	15	0406-262	2	Mount, Headlight
3	8476-616	2	Screw, Machine	16	0406-261	2	Yoke, Headlight
4	0506-176	1	Footrest - Right	17	8053-242	2	Washer, Lock
	<u>0506-217</u>	1	Footrest - Left	18	<u>0406-300</u>	2	Panel, Inner Fender
5	8409-020	6	Screw, Cap	19	0409-001	2	Headlight-Assembly (inc. 20-21)
6	8408-816	8	Screw, Cap	20	0409-005	2	• Bulb, Headlight
7	0423-010	12	Washer, Shoulder	21	0123-950	2	• Screw, Machine
8	8474-616	12	Screw, Machine	22	<u>0506-210</u>	1	Bracket, Differential (4x4)
9	<u>0506-192</u>	1	Guard, Brush	23	8408-820	2	Screw, Cap (4x4)
10	<u>0406-354</u>	1	Panel, Belly	24	<u>0406-371</u>	1	Cover, Front Driveshaft (4x4)
11	0123-788	6	Tie, Cable	25	8471-610	4	Screw, Cap (4x4)
12	0406-175	1	Screen, Bumper - Lower				

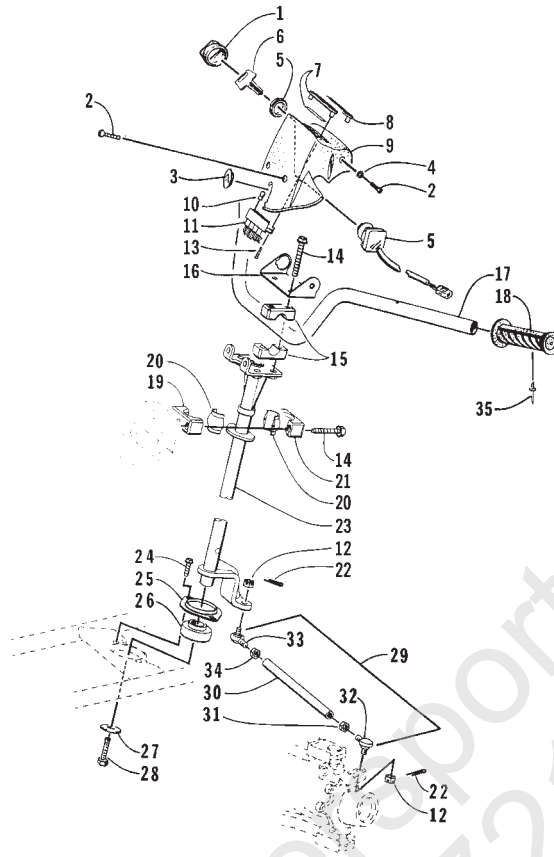


## SEAT ASSEMBLY

0733-618 \* Not a Service Part

Ref.	Part No.	Qty.	Description	Ref.	Part No.	Qty.	Description
1	5990-069	1	Seat Assembly (inc. 2-8)	10	8476-620	2	Screw, Cap
2	0506-054	1	● Cover, Seat	11	0406-235	1	Spring, Seat Latch
3	0506-056	1	● Foam, Seat	12	8050-217	2	Washer
4	0506-223	1	● Base, Seat - Assembly (inc. 5-7)	13	0406-199	2	Collar, Front Seat Base
5	*	1	● Base, Seat	14	0406-171	2	Bumper, Seat Base - Front
6	8061-628	4	● Rivet	15	0623-404	1	Cap, Protector
7	0506-147	1	● Pin, Seat Base - Front	16	0406-103	1	Latch, Seat - Assembly
8	0624-100	AR	● Staple	17	8476-616	2	Screw, Machine
9	0406-309	2	Grommet, Seat - Center				

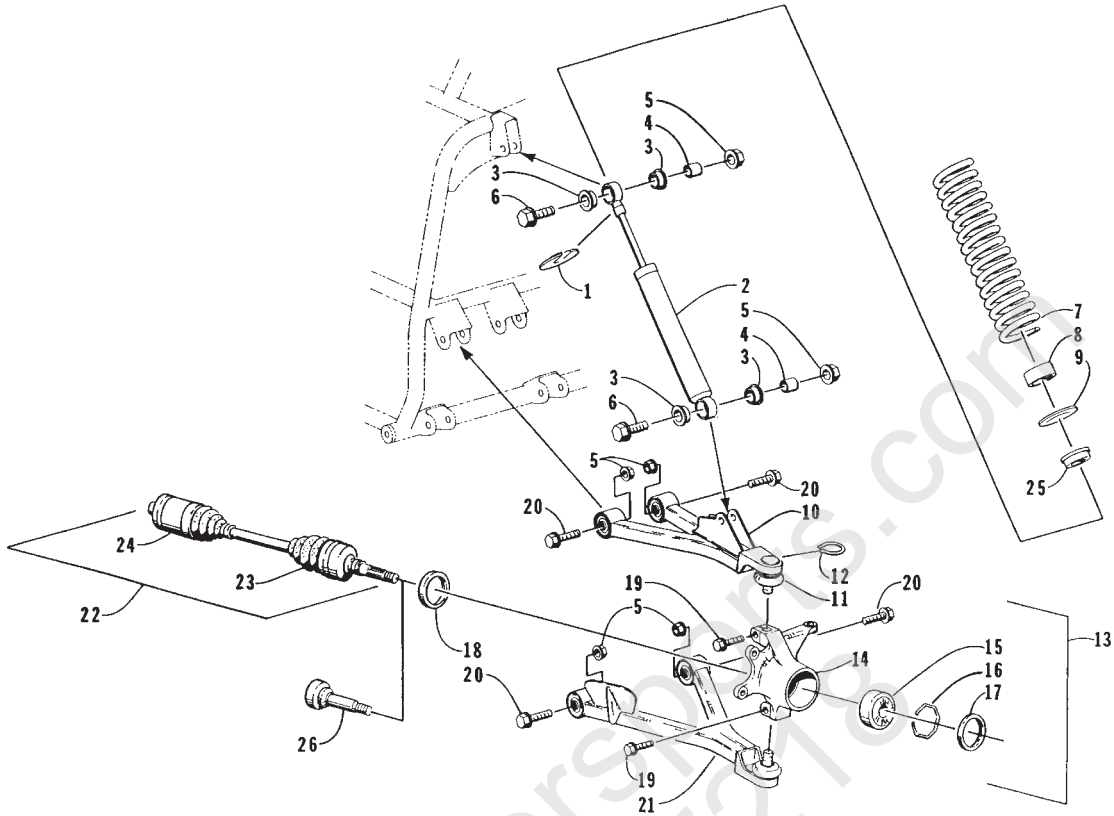
300 2x4  
300 4x4



## STEERING ASSEMBLY

0733-616

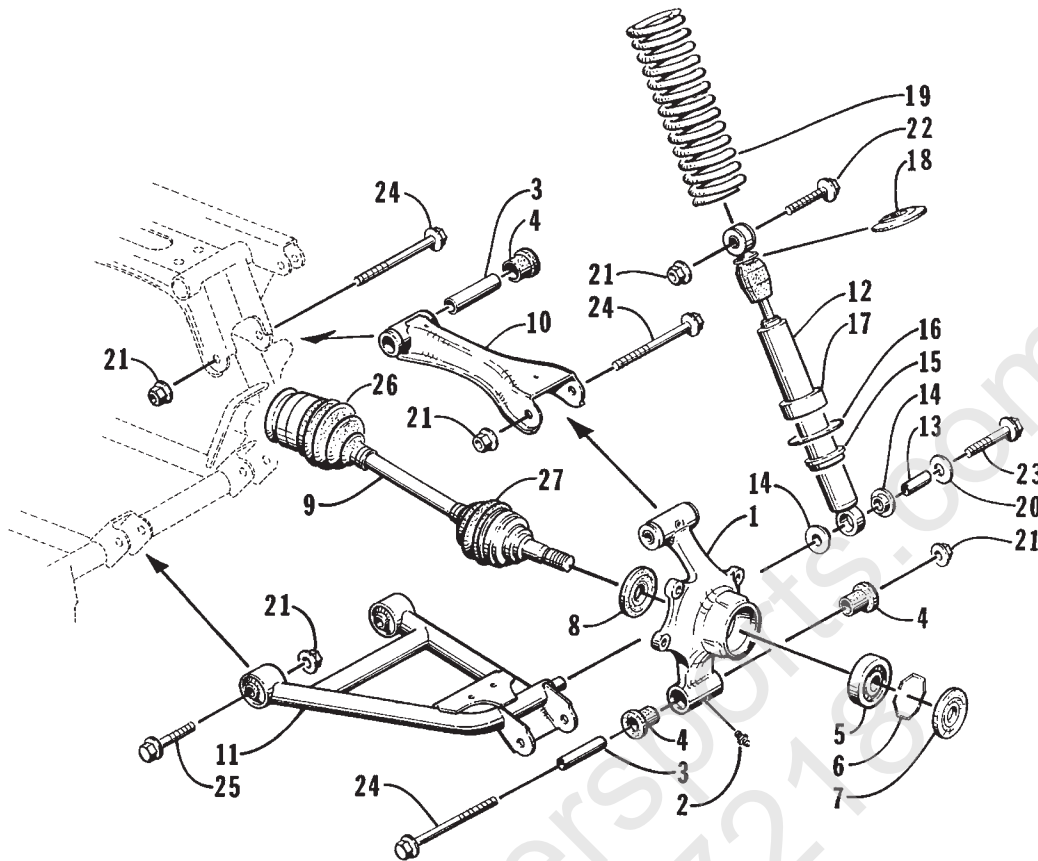
Ref.	Part No.	Qty.	Description	Ref.	Part No.	Qty.	Description
1	0409-013	1	Cover, Key	18	0405-039	2	Grip, Handlebar
2	8477-616	3	Screw, Machine	19	0605-171	1	Housing, Bearing - Lower
3	0405-042	1	Plug, Instrument Pod	20	0405-020	2	Bearing, Steering Post
4	0423-052	1	Collar, Body	21	0605-147	1	Housing, Bearing - Upper
5	3409-003	1	Switch, Ignition - Assembly (inc. 6)	22	0623-175	4	Pin, Cotter
6	3409-007	1	• Key, Ignition - Blank (C Series)	23	0505-012	1	Post, Steering
	3409-011	1	• Key, Ignition - Blank (D Series)	24	8408-816	2	Screw, Cap
7	0420-011	1	Bezel/Lens, Warning - Assembly	25	0602-233	1	Flange, Bearing
8	0405-036	1	Plate, "Arctic Cat" - Instrument Pod	26	0602-808	1	Bearing
9	0405-019	1	Instrument Pod	27	0423-073	1	Washer
10	0420-013	4	Bulb, Light Bar	28	8409-020	1	Screw, Cap
11	0420-001	1	Light, Warning - Assembly	29	0505-021	2	Tie Rod-Assembly (inc. 30-34)
12	8422-002	4	Nut	30	0405-032	2	• Tie Rod
13	0123-950	4	Screw, Self-Tapping	31	8420-002	2	• Nut - Right
14	8408-860	6	Screw, Cap	32	0405-041	2	• Ball Joint, Tie Rod - Left
15	0405-035	4	Cap, Steering Adjuster	33	0405-040	2	• Ball Joint, Tie Rod - Right
16	0506-139	1	Bracket, Key Switch	34	0423-013	2	• Nut - Left
17	0505-022	1	Tube, Handlebar	35	8060-428	2	Rivet



## FRONT SUSPENSION ASSEMBLY

0733-414

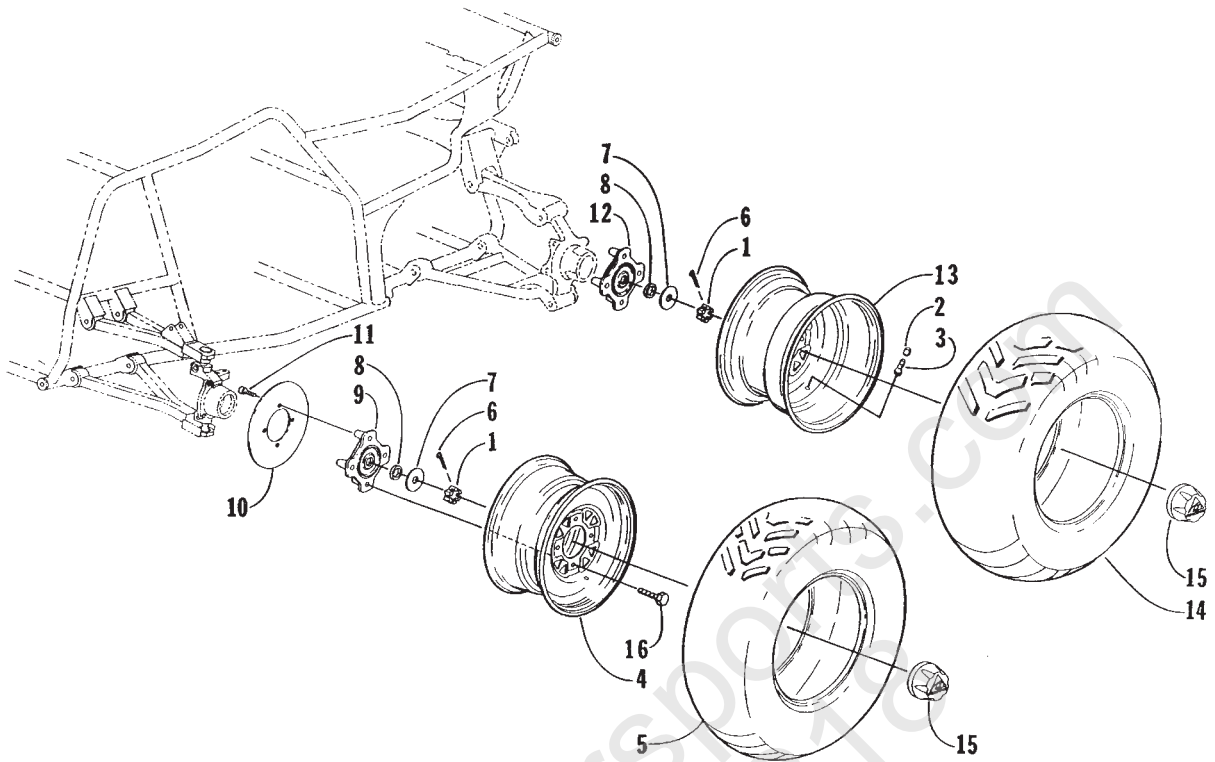
Ref.	Part No.	Qty.	Description	Ref.	Part No.	Qty.	Description
1	0603-033	2	Retainer, Spring	15	0402-085	2	● Bearing, Wheel Hub - Front
2	0403-015	2	Shock Absorber - Front (inc. 3-4) (4x4)	16	0423-034	2	● Clip, Bearing
	<u>0403-036</u>	2	Shock Absorber - Front (inc. 3-4) (2x4)	17	0402-089	2	● Seal, Wheel Bearing - Front
3	0604-310	8	● Bushing, Shock Absorber	18	0402-069	2	● Seal, Wheel Bearing - Front
4	0403-028	4	● Sleeve, Shock	19	8409-030	4	Screw, Cap
5	8428-002	12	Nut, Lock	20	8409-060	8	Screw, Cap
6	8409-040	4	Screw, Cap	21	<u>0503-044</u>	1	A-Arm, Lower Right (inc. 11-12) (4x4)
7	<u>0403-022</u>	2	Spring, Shock Absorber (4x4)		<u>0503-045</u>	1	A-Arm, Lower Left (inc. 11-12) (4x4)
	<u>0403-037</u>	2	Spring, Shock Absorber (2x4)		<u>0503-036</u>	1	A-Arm, Lower Right (inc. 11-12) (2x4)
8	0403-025	2	Collar, Spring		<u>0503-037</u>	1	A-Arm, Lower Left (inc. 11-12) (2x4)
9	0403-013	2	Washer, Spring	22	<u>0402-179</u>	1	Axle, Drive - Front (RH) (4x4)
10	0503-026	1	A-Arm, Upper Right - Assembly (inc. 11-12)		<u>0402-249</u>	1	Axle, Drive - Front Short (LH) (4x4)
	0503-027	1	A-Arm, Upper Left - Assembly (inc. 11-12)	23	<u>0436-114</u>	2	Repair Kit, Outer Boot - Front Axle (4x4)
11	0405-001	4	● Ball Joint - Front	24	<u>0436-113</u>	2	Repair Kit, Inner Boot - Front Axle (4x4)
12	0423-009	4	● Clip, Ball Joint	25	0403-027	2	Retainer, Spring - Lower
13	<u>0505-026</u>	1	Knuckle - Assembly - Right (inc. 14-18)	26	<u>0402-183</u>	2	Axle, Stub (2x4)
	<u>0505-027</u>	1	Knuckle - Assembly - Left (inc. 14-18)				
14	<u>0505-024</u>	1	● Knuckle, Steering - Right				
	<u>0505-025</u>	1	● Knuckle, Steering - Left				



## REAR SUSPENSION ASSEMBLY

0733-698

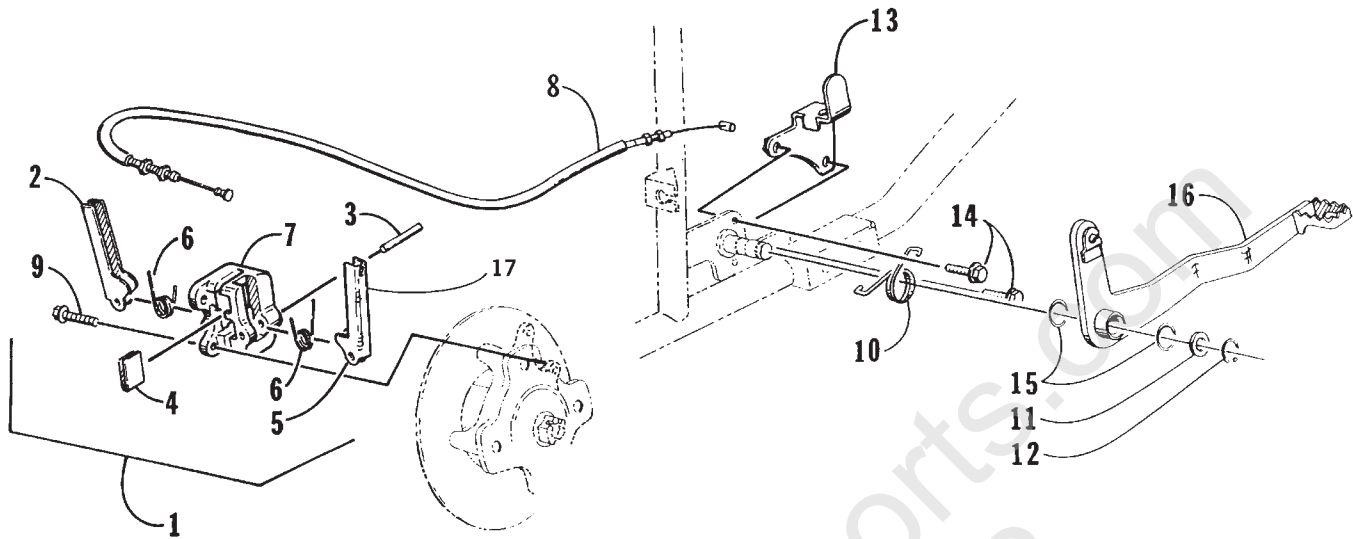
Ref.	Part No.	Qty.	Description	Ref.	Part No.	Qty.	Description
1	<u>0504-032</u>	2	Knuckle, Rear - Assembly (inc. 2)	14	0604-310	8	Bushing, Shock Absorber
2	<u>0423-095</u>	6	• Fitting, Grease	15	0403-027	2	Retainer, Spring - Lower
3	<u>0403-038</u>	6	Collar, Suspension Bushing	16	0403-013	2	Washer, Spring Adjust
4	<u>0403-032</u>	12	Bushing, Suspension	17	0403-025	2	Collar, Spring
5	<u>0402-085</u>	2	Bearing, Wheel	18	0603-033	2	Retainer, Spring
6	<u>0423-034</u>	2	Clip, Bearing	19	0403-002	2	Spring, Suspension
7	<u>0402-089</u>	2	Seal	20	<u>0423-087</u>	2	Washer
8	<u>0402-069</u>	2	Seal	21	8428-002	12	Nut, Lock
9	<u>0402-171</u>	2	Axle, Drive	22	8409-040	2	Screw, Cap
10	<u>0504-029</u>	2	Arm, Rear - Upper	23	8408-820	2	Screw, Cap
11	<u>0504-030</u>	1	A-Arm, Rear - Lower Right	24	8409-000	6	Screw, Cap
	<u>0504-031</u>	1	A-Arm, Rear - Lower Left	25	8409-060	4	Screw, Cap
12	<u>0404-014</u>	2	Shock Absorber - Rear	26	<u>0436-113</u>	2	Repair Kit, Inner Boot - Rear Axle
13	<u>0403-028</u>	4	Sleeve, Shock	27	<u>0436-114</u>	2	Repair Kit, Outer Boot - Rear Axle



## WHEEL AND TIRE ASSEMBLY

0733-661

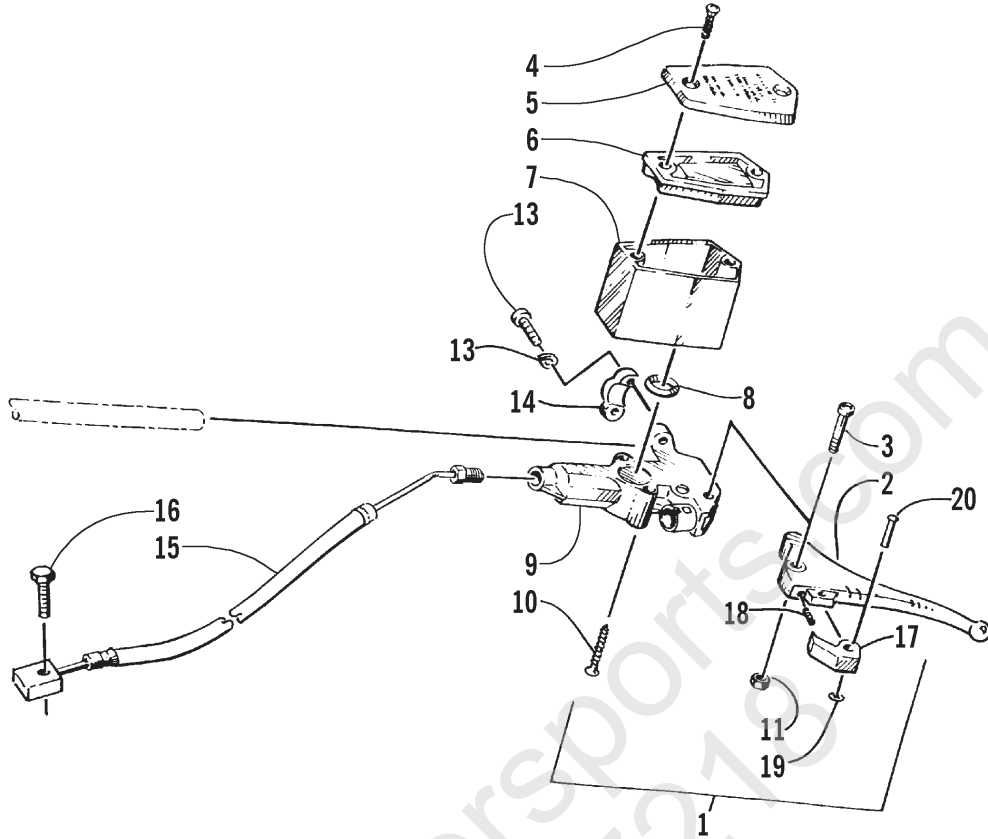
Ref.	Part No.	Qty.	Description	Ref.	Part No.	Qty.	Description
1	3423-213	4	Nut, Hex	10	0402-009	3	Disc, Brake
2	0402-140	4	Cap, Valve Stem	11	0423-029	12	Screw, Machine
3	0402-064	4	Valve, Stem	12	0502-041	2	Hub, Wheel - Rear
4	0402-215	2	Wheel - Front	13	0402-262	2	Wheel - Rear (4x4)
5	0402-252	2	Tire - Front (4x4)		0402-215	2	Wheel - Rear (2x4)
	0402-202	2	Tire - Front (2x4)	14	0402-153	2	Tire - Rear
6	0123-458	4	Pin, Cotter	15	0403-035	4	Cap, Wheel - Center
7	0423-080	4	Washer	16	8409-020	16	Screw, Cap
8	0402-181	4	Seal, Hub				
9	0502-041	2	Hub, Wheel - Front (4x4)				
	0502-040	2	Hub, Wheel - Front (2x4)				



## MECHANICAL BRAKE ASSEMBLY

0733-691 \*Not a Service Part

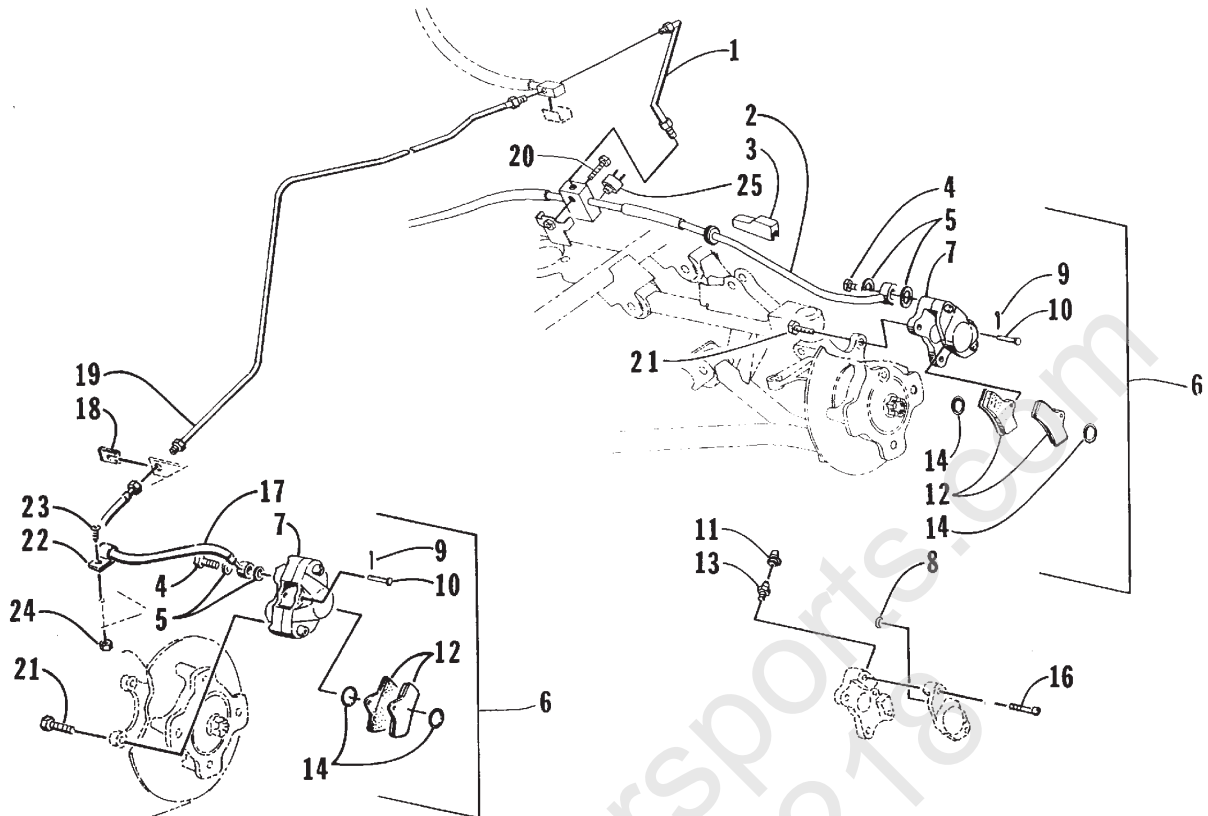
Ref.	Part No.	Qty.	Description	Ref.	Part No.	Qty.	Description
1	<u>0502-048</u>	1	Mechanical Brake-Assembly (inc. 2-7)	9	8408-825	2	Screw, Cap
2	<u>0402-206</u>	1	• Arm, Inner	10	0402-161	1	Spring, Foot Brake
3	<u>0402-208</u>	2	• Pin, Arm	11	0423-027	1	Washer, Brake Lever
4	<u>0402-210</u>	2	• Pad, Mechanical Brake	12	0623-237	1	Ring, Snap
5	<u>0402-207</u>	1	• Arm, Outer	13	<u>0502-056</u>	1	Bracket, Brake Switch
6	<u>0402-209</u>	2	• Spring, Arm	14	8476-616	2	Screw, Cap
7	*	1	• Housing, Mechanical Brake	15	0670-183	2	O-Ring
8	<u>0487-010</u>	1	Cable, Brake - Rear	16	0502-024	1	Lever, Foot Brake



## HYDRAULIC BRAKE CONTROL ASSEMBLY

0733-434 \*Not a Service Part

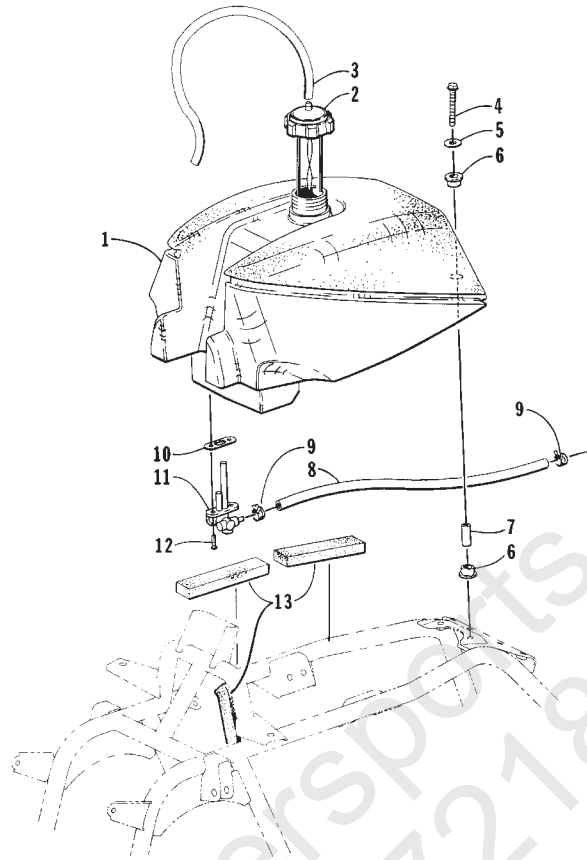
Ref.	Part No.	Qty.	Description	Ref.	Part No.	Qty.	Description
1	0502-061	1	Brake, Lever - Assembly (inc. 2-14 and 17-20)	11	0623-056	1	• Nut, Lock
2	0402-242	1	• Lever, Brake	12	8052-212	2	• Washer, Lock
3	0623-430	1	• Bolt, Lever Mounting	13	0623-629	2	• Screw, Clamp
4	0623-506	2	• Screw, Cover - Master Cylinder	14	0602-907	1	• Clamp
5	0602-742	1	• Cover, Master Cylinder	15	0402-050	1	Hose, Master Cylinder
6	0602-741	1	• Gasket, Cover - Master Cylinder	16	8476-625	1	Screw, Cap
7	0602-740	1	• Reservoir, Hydraulic Brake	17	0402-240	1	Wedge, Parking Brake
8	0602-587	1	• O-Ring, Reservoir	18	0402-245	1	Spring
9	*	1	• Master Cylinder	19	0423-090	1	Nut, Press
10	0623-432	2	• Screw, Reservoir Mount	20	0402-246	1	Pin



## HYDRAULIC BRAKE ASSEMBLY

0733-624 \* Not a Service Part

Ref.	Part No.	Qty.	Description	Ref.	Part No.	Qty.	Description
1	0402-053	1	Tube, Brake Line - Front	12	0402-096	6	● Pad, Hydraulic Brake
2	0402-051	1	Hose, Brake - Front	13	0402-167	3	● Valve, Bleeder
3	0402-073	2	Block, Mounting	14	0402-141	6	● O-Ring, Hydraulic Brake Caliper
4	0423-038	3	Bolt, Oil	15	0402-165	6	● Washer
5	0423-039	6	Washer, Crush	16	0402-166	6	● Screw, Socket Head
6	0402-010	1	Caliper, Brake - Right Front (inc. 7-13 and two No. 14-16)	17	0402-254	1	Hose, Brake - Rear
	0402-011	2	Caliper, Brake - Left Front and Rear (inc. 7-13 and two No. 14-16)	18	0402-115	1	Clip, Brake Line
7	*	3	● Housing, Caliper	19	0402-170	1	Tube, Brake Line - Rear
8	0402-164	3	● O-Ring	20	8476-625	1	Screw, Cap
9	0117-868	3	● Pin, Cotter	21	8408-825	6	Screw, Cap
10	0402-142	3	● Pin, Hydraulic Brake Caliper	22	0123-269	1	Clamp, Cable
11	0402-143	3	● Cap, Bleeder Valve	23	8476-612	1	Screw, Machine
				24	0624-250	1	Nut

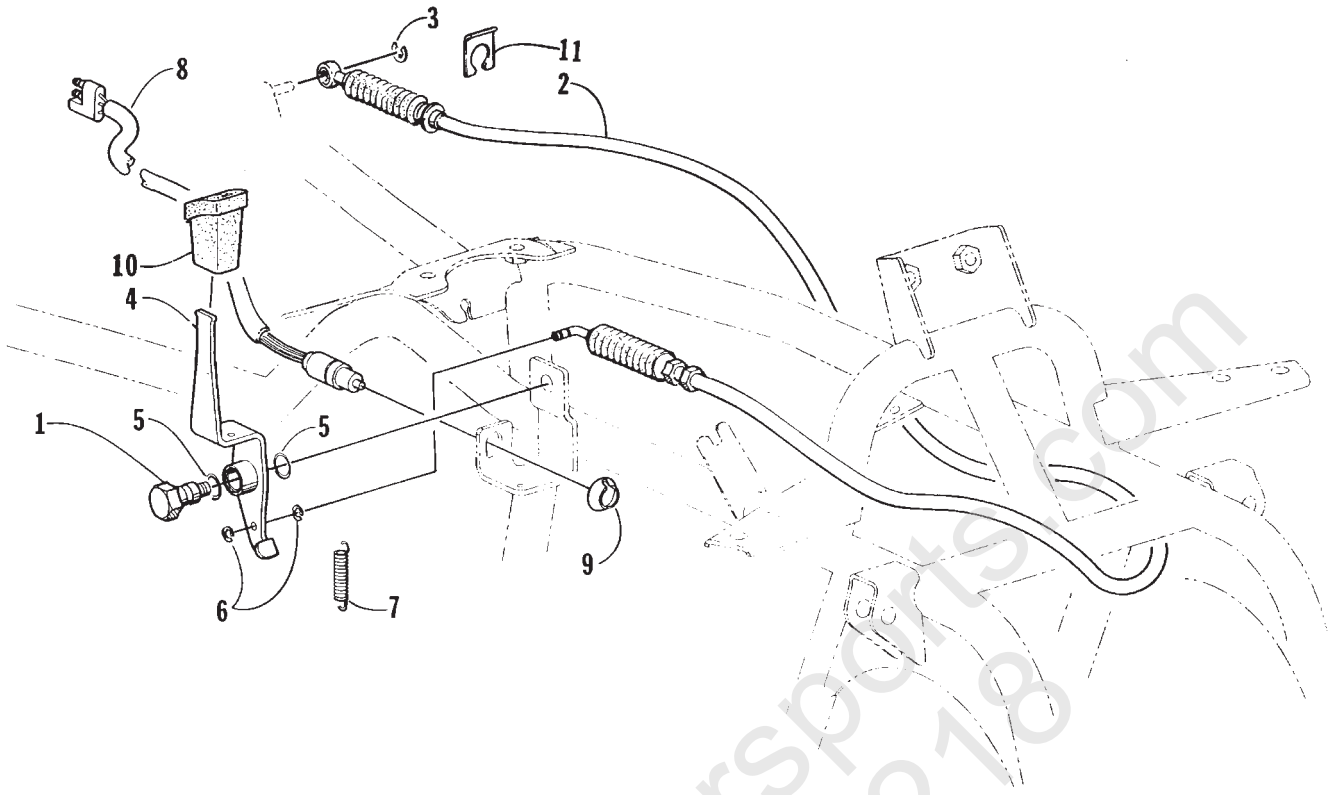


## FUEL TANK ASSEMBLY

0733-834 \* Not a Service Part

Ref.	Part No.	Qty.	Description	Ref.	Part No.	Qty.	Description
1	0570-014	1	Tank, Fuel (inc. 2-3 and 6-12)	8	0610-007	AR	Line, Fuel
2	0470-315	1	● Cap, Fuel Tank (inc. 3)	9	0423-048	2	Clamp, Hose - Spring
3	0470-316	1	● ● Line, Fuel Cap Vent	10	*	1	Gasket, Fuel
4	8476-650	2	Screw, Cap	11	0470-357	1	Valve, Shut-Off (inc. 10)
5	0623-184	2	Washer	12	8471-616	2	Screw, Cap
6	0406-169	4	Bushing, Fuel Tank Mount	13	0417-001	7	Pad, Fuel Tank
7	0406-170	2	Collar, Fuel Tank Mount				

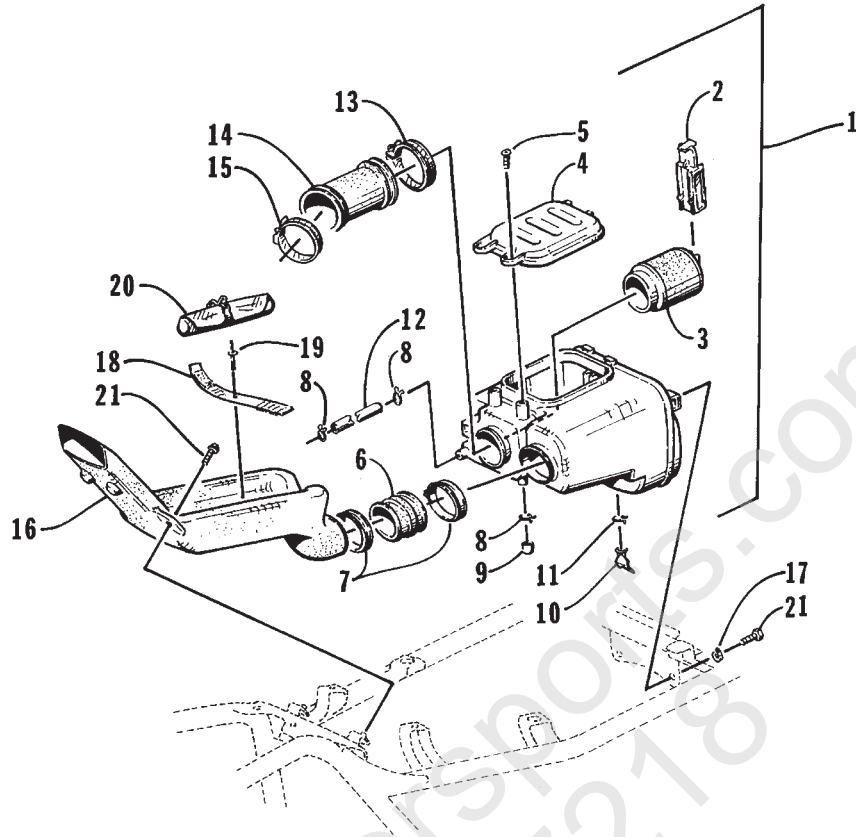
300 2x4  
300 4x4



## REVERSE SHIFT LEVER ASSEMBLY

0733-716

Ref.	Part No.	Qty.	Description	Ref.	Part No.	Qty.	Description
1	0402-239	1	Axle, Reverse Shift	7	0402-136	1	Spring, Reverse Lever
2	0487-009	1	Cable, Shift	8	0409-008	1	Reverse Switch
3	3423-168	1	E-Ring	9	0402-168	1	Retainer, Switch
4	0502-059	1	Lever, Reverse	10	0402-062	1	Knob, Reverse Shift Lever
5	0423-096	2	O-Ring	11	3423-282	1	Clip, Cable
6	0423-063	2	E-Ring				

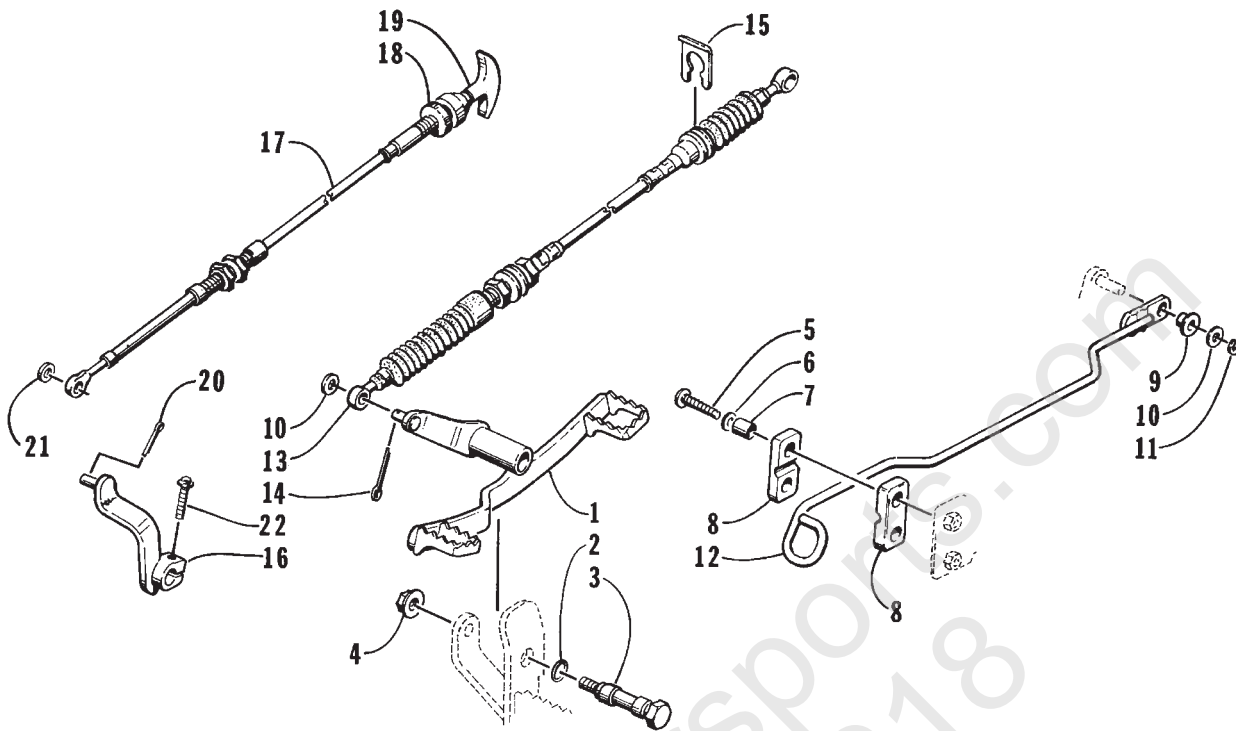


## AIR INTAKE ASSEMBLY

0733-684

Ref.	Part No.	Qty.	Description	Ref.	Part No.	Qty.	Description
1	3570-001	1	Box, Air - Assembly (inc. 2 and 4-9)	11	0423-047	1	● Clamp
2	3402-330	1	● Slider, Retainer - Filter	12	3470-004	1	Tube, Crankcase Breather
3	0470-355	1	● Filter, Air Cleaner	13	0423-018	1	Clamp
	0470-356	1	● Sleeve, Filter	14	0470-347	1	Boot, Air Cleaner
4	3402-331	1	● Cap	15	0423-019	1	Clamp
5	8477-610	2	● Screw, Cap	16	0570-019	1	Snorkel, Air Intake
6	3423-329	1	● Joint	17	0406-379	3	Washer, Lock
7	3423-311	2	● Clamp	18	0406-379	1	Strap, Tool Kit
8	3423-313	3	● Clip	19	0423-046	1	Rivet, Plastic
9	3402-334	1	● Plug, Breather	20	0444-072	1	Kit, Tool
10	0470-349	1	● Valve, Air Cleaner	21	8476-616	5	Screw, Cap

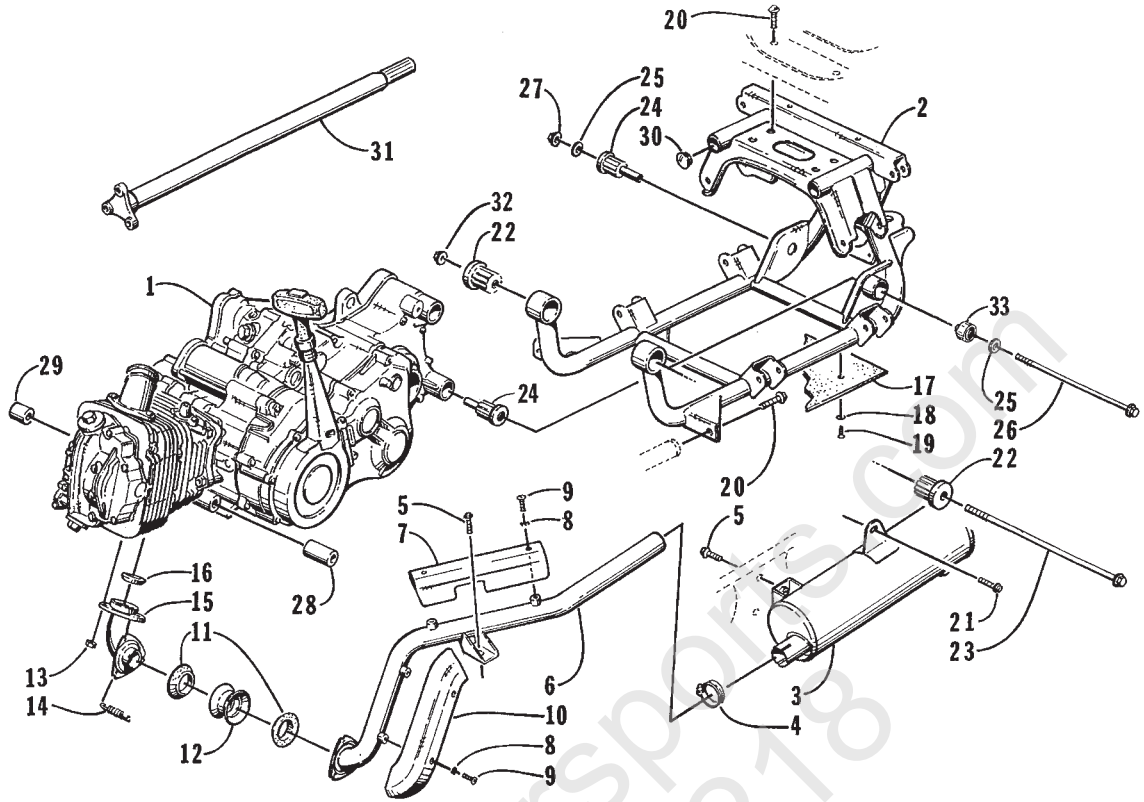
300 2x4  
300 4x4



## SHIFTER ASSEMBLY

0733-736

Ref.	Part No.	Qty.	Description	Ref.	Part No.	Qty.	Description
1	0436-178	1	Lever, Footshift	12	0502-062	1	Linkage, Hi/Lo
2	0423-096	2	O-Ring	13	3487-001	1	Cable, Footshift
3	0402-214	1	Axle, Footshift	14	0623-175	1	Pin, Cotter
4	8424-802	1	Nut	15	3423-282	1	Clip, Cable
5	8476-630	2	Screw, Cap	16	0502-064	1	Arm, 2x4/4x4 - Shift (4x4)
6	8050-222	2	Washer	17	0487-012	1	Cable, 2x4/4x4 - Shift (4x4)
7	0402-256	2	Collar, Hi/Lo Shift	18	0423-099	1	Nut
8	0406-363	2	Bushing, Hi/Lo Shift	19	0487-014	1	Handle, Cable Shift
9	0423-091	1	Bushing, Shift	20	0117-868	1	Pin, Cotter
10	8050-242	2	Washer	21	0423-052	1	Collar, Body
11	3423-168	1	E-Ring, Gear Shift	22	8476-620	1	Screw, Cap (4x4)

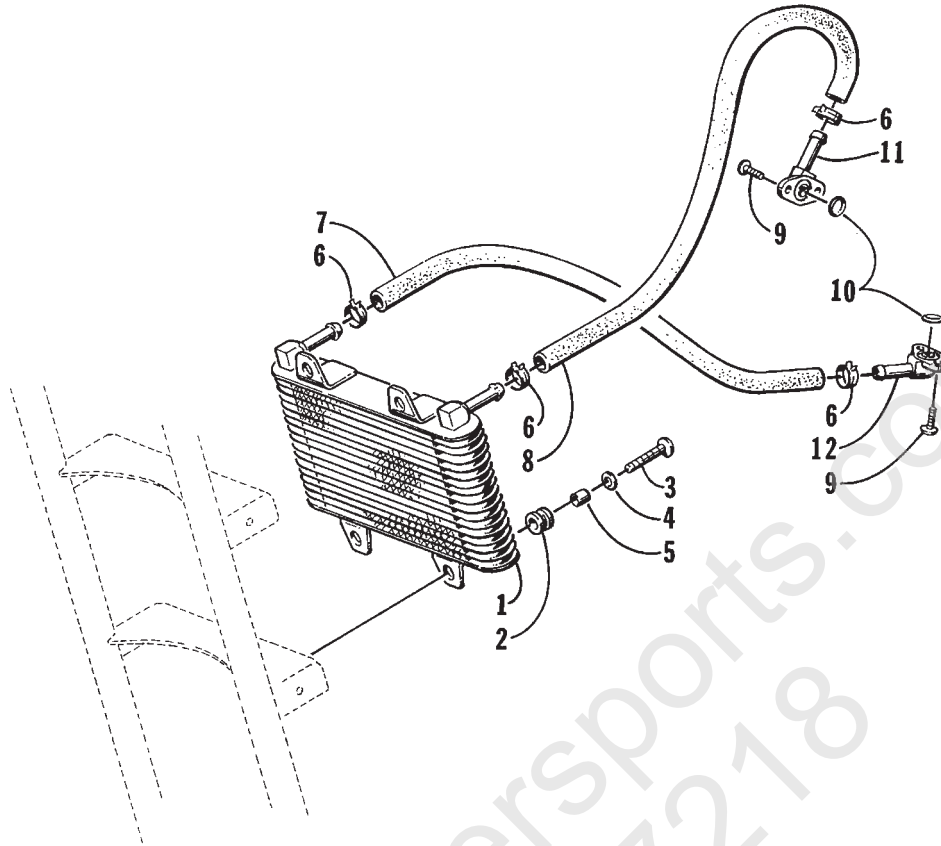


## ENGINE AND RELATED PARTS

0734-784

Ref.	Part No.	Qty.	Description	Ref.	Part No.	Qty.	Description
1	<u>0462-009</u>	1	Engine (4x4)	18	0423-010	8	Washer, Shoulder
	<u>0462-005</u>	1	Engine (2x4)	19	8474-616	8	Screw, Cap
2	<u>0506-301</u>	1	Frame, Sub (inc. 32)	20	8409-020	6	Screw, Cap
3	<u>0512-006</u>	1	Muffler	21	8408-816	1	Screw, Cap
4	<u>0423-092</u>	1	Clamp, Exhaust	22	<u>3402-264</u>	2	Mount, Motor
5	8408-812	2	Screw, Cap	23	<u>3423-236</u>	1	Screw, Cap
6	<u>0512-004</u>	1	Pipe, Exhaust	24	<u>3402-263</u>	4	Mount, Motor
7	<u>0412-024</u>	1	Cover, Exhaust - Rear	25	8050-272	4	Washer
8	8053-211	4	Washer, Lock	26	<u>3423-235</u>	2	Screw, Cap
9	8477-610	4	Screw, Cap	27	8422-002	3	Nut
10	<u>0412-023</u>	1	Cover, Exhaust	28	<u>0402-231</u>	1	Spacer, Engine Mount - Long
11	0612-887	2	Gasket, Exhaust	29	<u>0402-232</u>	1	Spacer, Engine Mount - Short
12	<u>0412-031</u>	1	Coupler, Exhaust	30	<u>0406-320</u>	2	Cap, Subframe
13	8424-802	2	Nut	31	<u>0502-066</u>	1	Driveshaft (4x4)
14	0123-321	3	Spring, Extension	32	8422-202	1	Nut, Engine Mount - Front
15	<u>0512-008</u>	1	Pipe, Header	33	3402-232	4	Bushing
16	<u>3402-300</u>	1	Seal, Exhaust Pipe				
17	<u>0406-344</u>	1	Panel, Belly - Subframe				

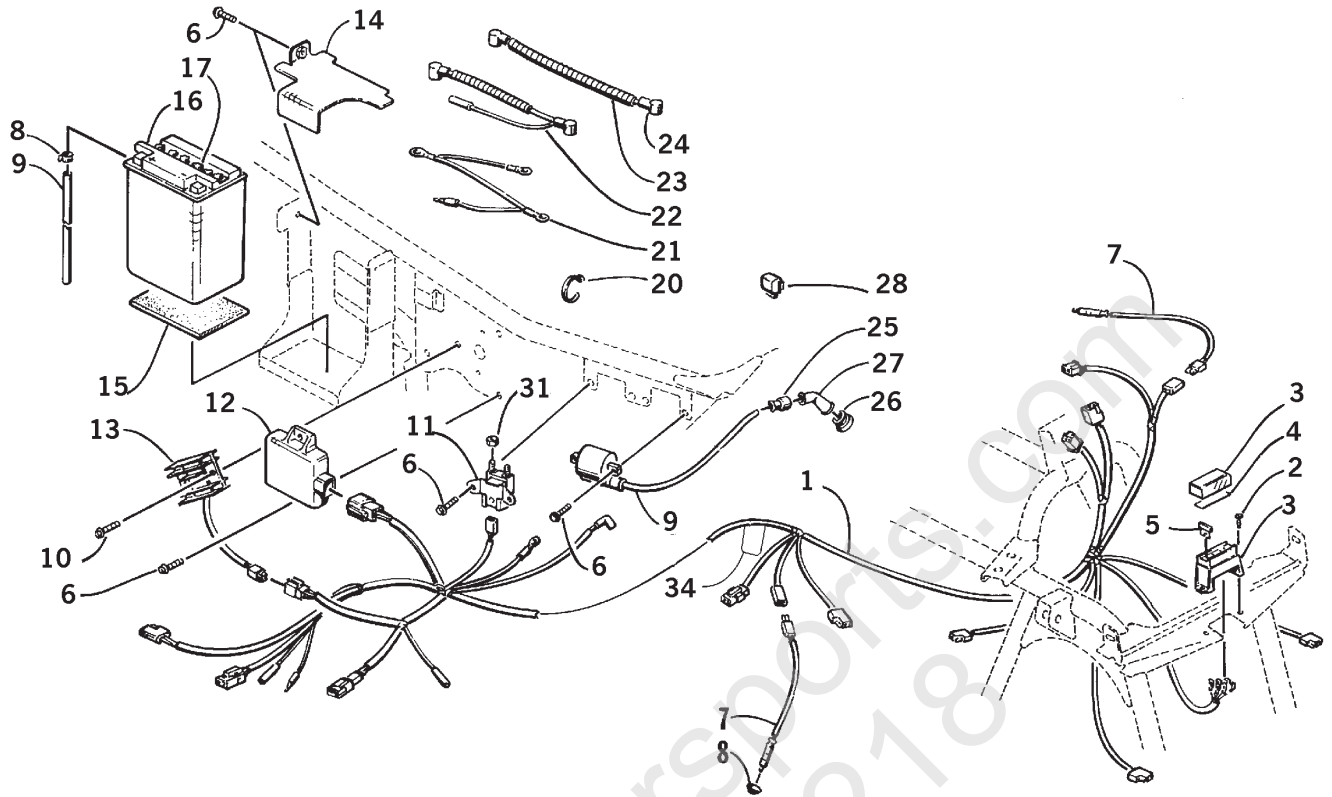
300 2x4  
300 4x4



## OIL COOLER ASSEMBLY

0733-727

Ref.	Part No.	Qty.	Description	Ref.	Part No.	Qty.	Description
1	<u>0413-011</u>	1	Cooler, Oil	7	<u>0410-006</u>	1	Hose, Oil - Output
2	<u>0423-086</u>	4	Grommet	8	<u>0410-007</u>	1	Hose, Oil - Input
3	8476-620	4	Screw, Cap	9	8471-616	4	Screw, Cap
4	8050-217	4	Washer	10	<u>0423-089</u>	2	O-Ring, Oil Fitting
5	0423-036	4	Collar	11	<u>0410-012</u>	1	Fitting, Oil - Angled
6	<u>0423-098</u>	4	Clamp, Hose	12	<u>0410-013</u>	1	Fitting, Oil

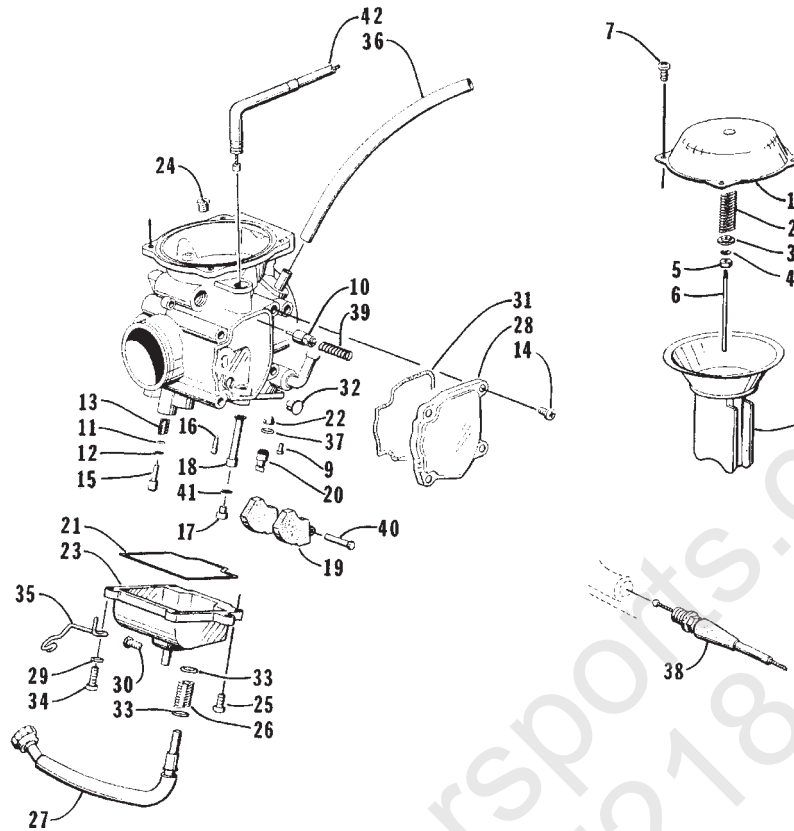


## ELECTRICAL COMPONENTS

0733-740

Ref.	Part No.	Qty.	Description	Ref.	Part No.	Qty.	Description
1	<u>0486-008</u>	1	Harness, Main	17	0645-045	6	• Cap, Battery
2	<u>0623-361</u>	2	Screw, Self-Tapping	18	0645-152	1	• Clamp, Hose
3	<u>0530-003</u>	1	Fuse Box Assembly	19	0645-263	1	• Hose, Battery Vent
4	<u>0411-084</u>	1	Decal, Fuse Box	20	0123-788	AR	Tie, Cable
5	<u>0630-057</u>	3	Fuse, 10 AMP	21	0445-010	1	Cable, Battery - Ground
6	<u>8476-616</u>	7	Screw, Cap	22	0445-011	1	Cable, Battery - Relay
7	<u>0409-009</u>	2	Switch, Brake	23	0445-012	1	Cable, Battery - Starter
8	<u>0402-168</u>	1	Retainer, Switch	24	0645-019	4	Bolt, Terminal - Battery
9	<u>3530-012</u>	1	Coil, Ignition	25	3430-009	1	Seal, High Tension Cord
10	<u>8476-620</u>	2	Screw, Cap	26	3430-026	1	Seal, Spark Plug
11	<u>3530-013</u>	1	Relay, Starter	27	3430-007	1	Cap, Spark Plug
12	<u>3530-011</u>	1	CDI Unit	28	3530-008	1	Relay, Neutral Start
13	<u>3530-014</u>	1	Regulator, Voltage	29	<u>0486-012</u>	1	Harness, Neutral Jumper
14	<u>0506-254</u>	1	Bracket, Battery	30	<u>0486-013</u>	1	Tube, Heat Spring
15	<u>0406-380</u>	1	Pad, Battery	31	0624-250	2	Nut, Starter Relay
16	<u>0645-063</u>	1	Battery (inc. 17-19)				

300 2x4  
300 4x4

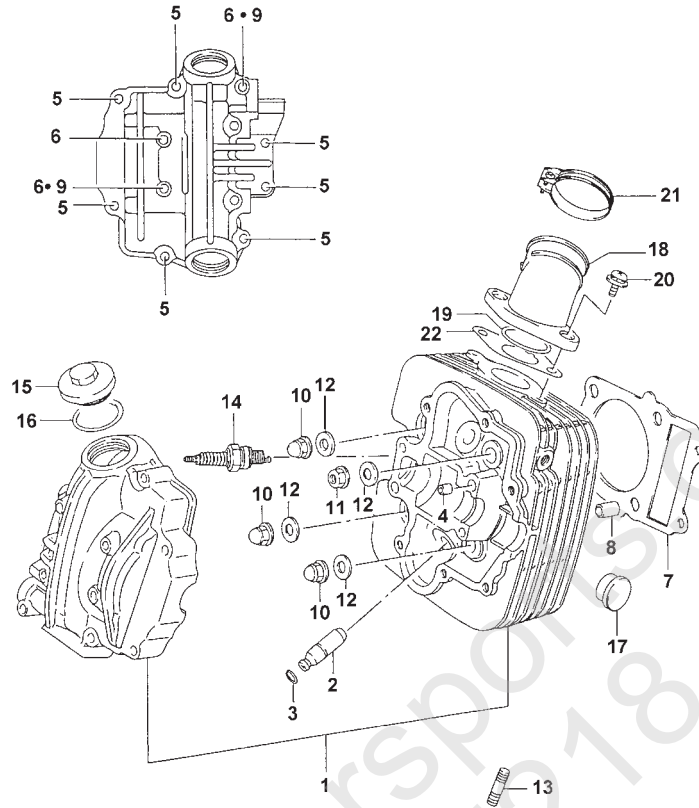


## CARBURETOR

(Complete Assembly p/n 0470-348)

0733-773 \*California Models Only

Ref.	Part No.	Qty.	Description	Ref.	Part No.	Qty.	Description
1	4505-001	1	Cover-Assembly	22	4505-045	1	Filter
2	<u>4505-046</u>	1	Spring	23	4505-023	1	Chamber, Float
3	4505-003	1	Ring	24	4505-024	1	Jet, Pilot - Air
4	4505-004	1	E-Ring	25	4505-025	3	Screw
5	4505-005	1	Ring	26	4505-026	1	Spring
6	<u>4505-061</u>	1	Jet Needle P-8M	27	<u>4505-062</u>	1	Cable Adjust - Assembly
7	4505-007	4	Screw	28	4505-028	1	Cover
8	<u>4505-058</u>	1	Diaphragm	29	4505-029	1	Washer
9	4505-009	1	Screw	30	4505-030	1	Screw
10	4505-010	1	Plunger Assembly	31	4505-031	1	O-Ring
11	4505-011	1	O-Ring	32	4505-032	1	Guide, Cable
12	4505-012	1	Washer	33	4505-033	2	Washer
13	4505-013	1	Spring	34	4505-042	1	Screw
14	4505-014	4	Screw	35	4505-043	1	Clip
15	4505-016	1	Screw, Pilot	36	4505-035	2	Hose
16	<u>4505-059</u>	1	Jet, Pilot 45	37	<u>4505-048</u>	1	O-Ring
17	<u>4505-060</u>	1	Jet, Main 137.5	38	<u>0487-008</u>	1	Cable, Choke
	4505-019	1	Jet, Main 142.5*	39	4505-039	1	Spring
18	<u>4505-057</u>	1	Needle Jet 4D28-3	40	4505-040	1	Pin
19	4505-021	1	Float-Assembly	41	6505-006	1	Washer
20	4505-022	1	Seat, Valve 2.0 (With Needle)	42	<u>0487-007</u>	1	Cable, Throttle
21	4505-044	1	O-Ring, Bowl				

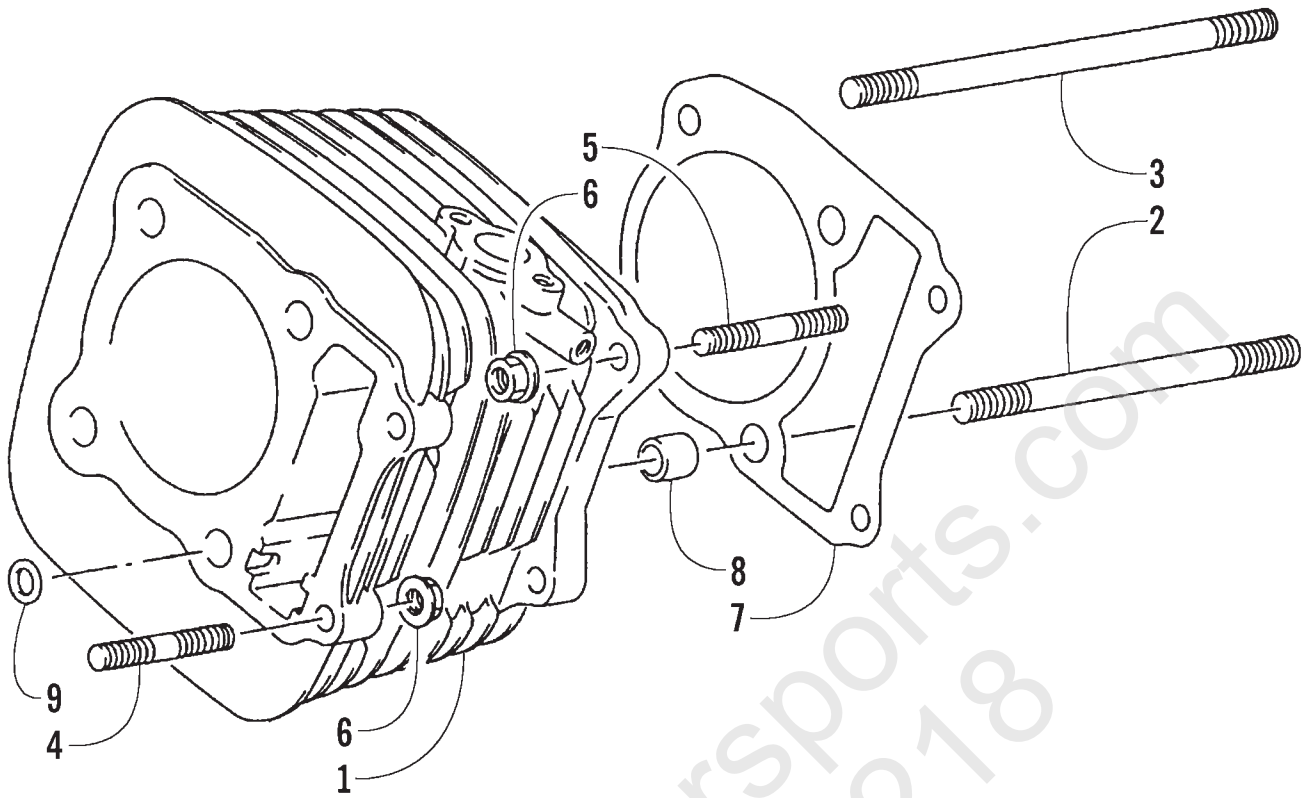


## CYLINDER HEAD ASSEMBLY

0733-743

Ref.	Part No.	Qty.	Description	Ref.	Part No.	Qty.	Description
1	3402-246	1	Head, Cylinder - Assembly (inc. 2-6)	12	3005-243	4	Gasket
2	3402-247	2	• Guide, Valve	13	3003-032	2	Bolt, Stud
3	3423-068	2	• Ring, Valve Guide	14	0217-713	1	Spark Plug (NGK DR7EA)
4	3423-043	2	• Pin	15	3402-249	2	Cap, Inspection
5	3004-426	7	• Screw, Cap	16	3423-275	2	O-Ring
6	3423-304	3	• Screw, Cap	17	3402-213	1	Plug, Head
7	3402-248	1	Gasket, Cylinder Head	18	3402-297	1	Pipe, Intake
8	3004-822	2	Pin	19	3423-276	1	O-Ring
9	3003-290	2	Gasket	20	3423-305	2	Screw, Cap
10	3423-257	3	Nut	21	3402-086	1	Clamp
11	3004-326	1	Nut	22	3402-298	1	Gasket, Intake Pipe

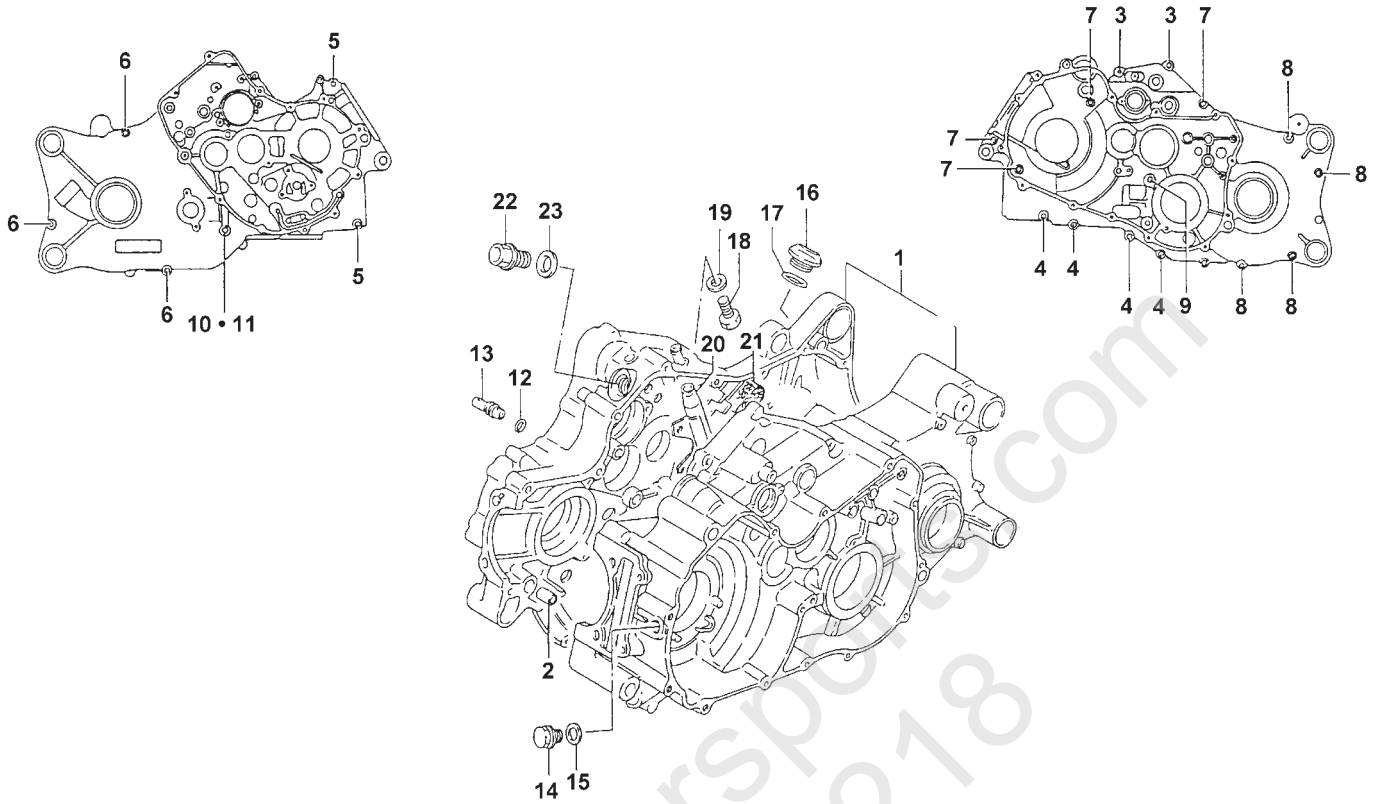
300 2x4  
300 4x4



## CYLINDER ASSEMBLY

0733-744

Ref.	Part No.	Qty.	Description	Ref.	Part No.	Qty.	Description
1	<u>3402-251</u>	1	Cylinder	6	3004-488	4	Nut
2	<u>3423-238</u>	2	Bolt, Stud	7	<u>3402-252</u>	1	Gasket, Cylinder
3	<u>3423-239</u>	2	Bolt, Stud	8	<u>3423-306</u>	2	Pin
4	<u>3423-089</u>	2	Bolt, Stud	9	<u>3005-226</u>	1	O-Ring
5	<u>3423-237</u>	2	Bolt, Stud				

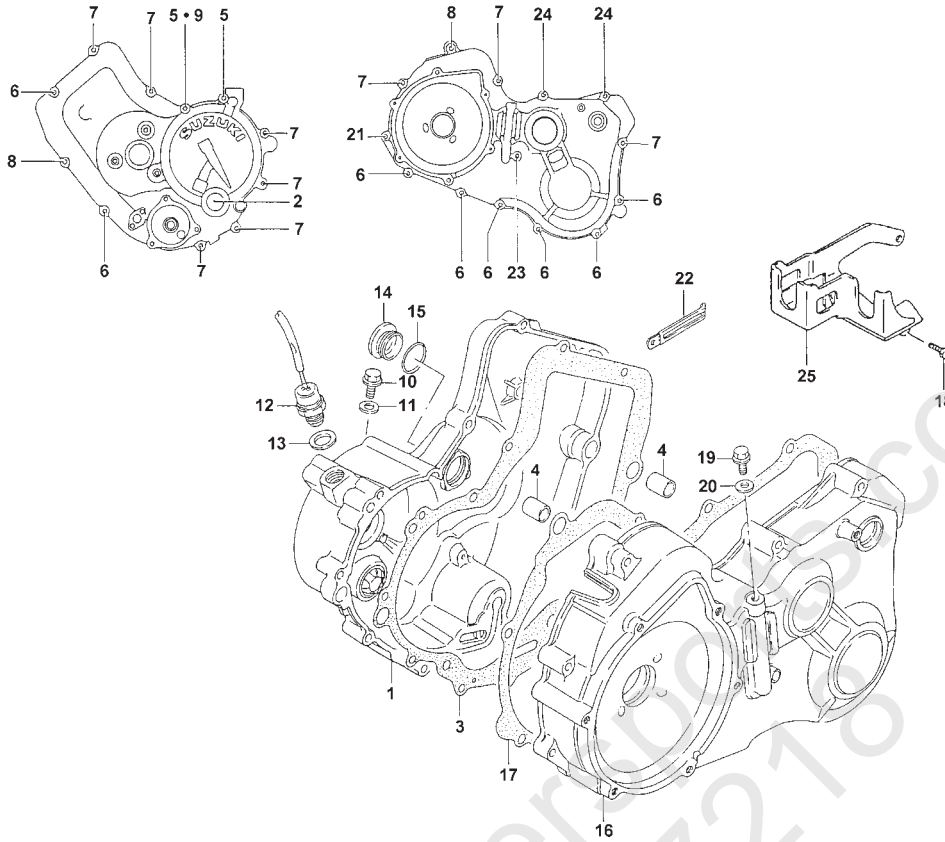


## CRANKCASE ASSEMBLY

0733-745

Ref.	Part No.	Qty.	Description	Ref.	Part No.	Qty.	Description
1	<u>3402-314</u>	1	Crankcase Set (inc. 2-13) (4x4)	12	3423-051	1	● O-Ring, Oil Gallery Jet
	<u>3402-253</u>	1	Crankcase Set (inc. 2-13) (2x4)	13	<u>3402-245</u>	1	● Jet, Oil Gallery
2	3423-088	2	● Pin	14	<u>3402-214</u>	1	Plug
3	3423-162	2	● Screw, Cap	15	3402-012	1	Gasket
4	3423-098	4	● Screw, Cap	16	<u>3402-212</u>	1	Cap, Oil Filler
5	3423-091	2	● Screw, Cap	17	<u>3423-274</u>	1	O-Ring
6	<u>3423-307</u>	3	● Screw, Cap	18	<u>3402-327</u>	1	Plug, Oil Drain
7	<u>3423-308</u>	4	● Screw, Cap	19	3402-011	1	Gasket
8	3423-094	4	● Screw, Cap	20	<u>3402-257</u>	1	Pipe, Breather
9	<u>3423-232</u>	1	● Screw, Cap	21	<u>3402-250</u>	1	Separator, Oil Breather
10	<u>3423-234</u>	1	● Screw, Cap	22	<u>3402-258</u>	1	Plug, Reverse Switch Hole
11	<u>3005-243</u>	1	● Gasket	23	<u>3423-271</u>	1	O-Ring

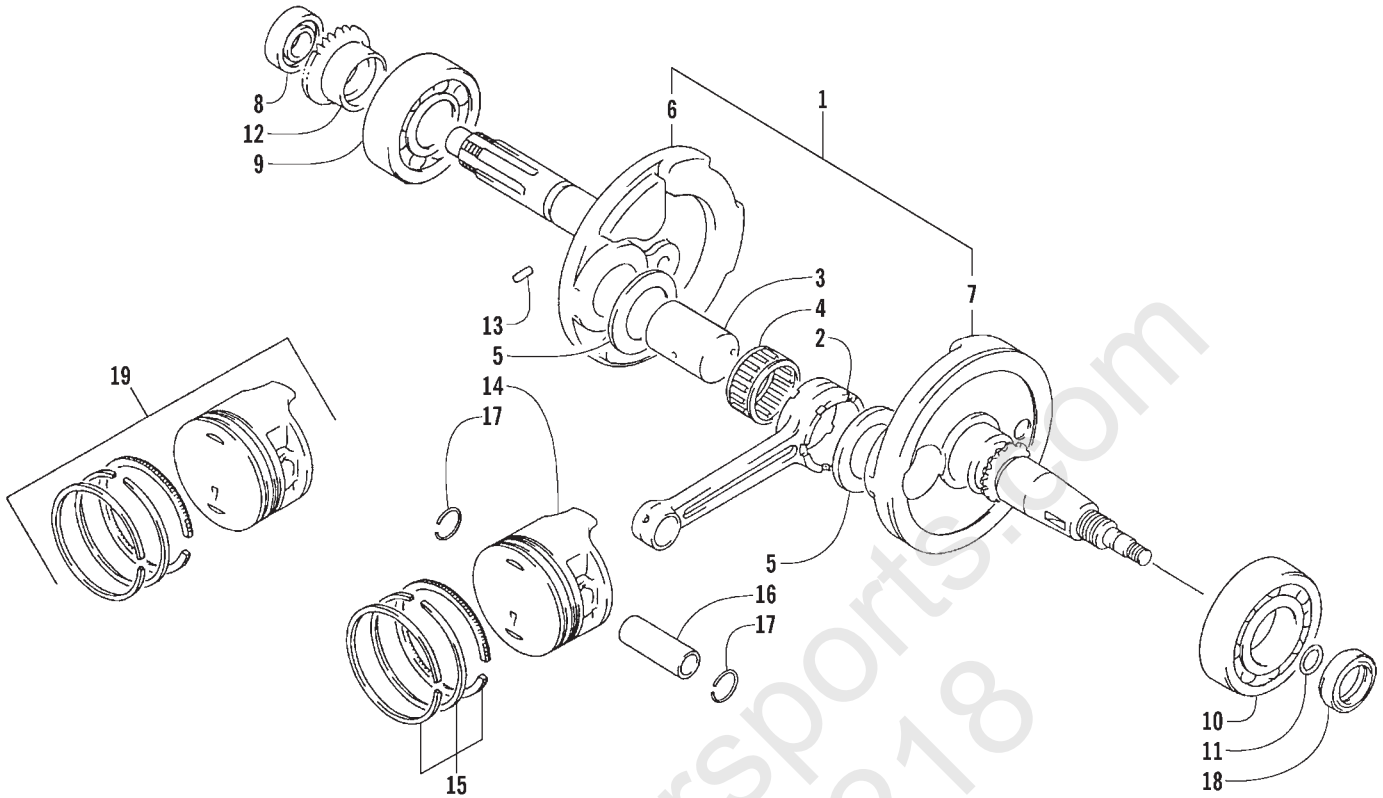
300 2x4  
300 4x4



## CRANKCASE COVER ASSEMBLY

0733-746

Ref.	Part No.	Qty.	Description	Ref.	Part No.	Qty.	Description
1	<u>3402-254</u>	1	Cover, Clutch (inc. 2)	14	<u>3402-215</u>	1	Cap, Clutch Adjust
2	<u>3402-112</u>	1	• Lens, Oil Inspection	15	<u>3423-274</u>	1	O-Ring
3	<u>3402-280</u>	1	Gasket	16	<u>3402-256</u>	1	Cover, Transfer
4	<u>3423-088</u>	4	Pin	17	<u>3402-262</u>	1	Gasket, Transfer Cover
5	<u>3423-231</u>	2	Screw, Cap	18	<u>3423-328</u>	1	Screw, Cap
6	<u>0693-327</u>	8	Screw, Cap	19	<u>3004-339</u>	1	Plug, Oil Gallery
7	<u>3423-098</u>	9	Screw, Cap	20	<u>3003-290</u>	1	Gasket
8	<u>3423-307</u>	2	Screw, Cap	21	<u>3004-756</u>	1	Screw, Cap
9	<u>3003-290</u>	1	Gasket	22	<u>3402-237</u>	2	Clamp, Breather Hose
10	<u>3004-705</u>	2	Plug, Oil Gallery	23	<u>3423-308</u>	1	Screw, Cap
11	<u>3005-242</u>	2	Gasket	24	<u>3423-091</u>	2	Screw, Cap
12	<u>3430-019</u>	1	Switch, Oil Lamp	25	<u>3430-029</u>	1	Bracket, Shift Cable
13	<u>3402-013</u>	1	Gasket				

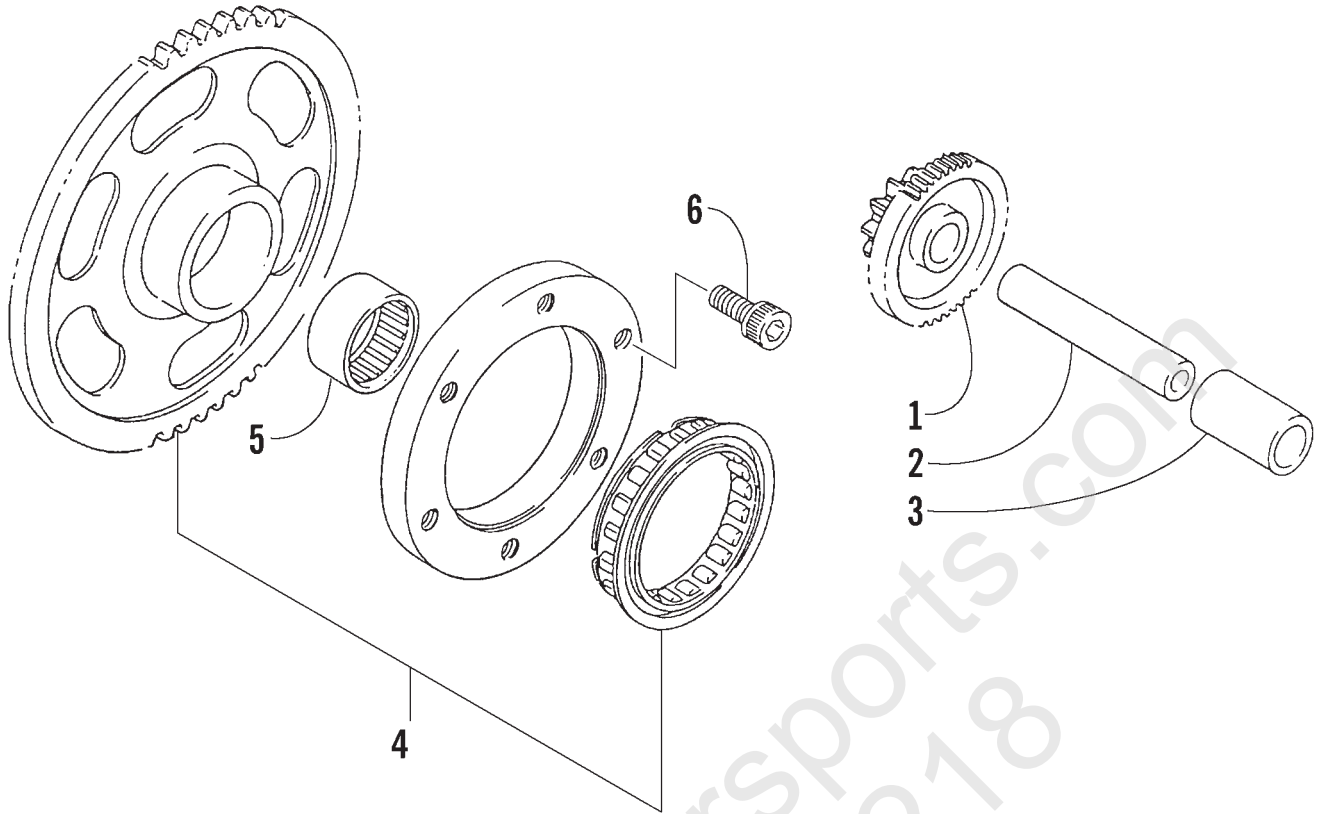


## CRANKSHAFT ASSEMBLY

0733-747

Ref.	Part No.	Qty.	Description	Ref.	Part No.	Qty.	Description
1	<a href="#">3402-269</a>	1	Crankshaft - Assembly (inc. 2-7)	12	<a href="#">3402-301</a>	1	Gear, Oil Pump Drive
2	<a href="#">3402-268</a>	1	• Rod, Connecting	13	<a href="#">3423-114</a>	1	Pin
3	<a href="#">3402-270</a>	1	• Pin, Crank	14	<a href="#">3402-265</a>	1	Piston
4	<a href="#">3402-223</a>	1	• Bearing	15	<a href="#">3402-266</a>	1	Ring Set, Piston
5	<a href="#">3005-241</a>	2	• Washer		<a href="#">3436-009</a>	1	Ring Set (+0.5 mm)
6	<a href="#">3402-271</a>	1	• Crankshaft - Right		<a href="#">3436-010</a>	1	Ring Set (+1.0 mm)
7	<a href="#">3402-272</a>	1	• Crankshaft - Left	16	<a href="#">3402-267</a>	1	Pin, Piston
8	<a href="#">3402-216</a>	1	Bearing - Right	17	<a href="#">3423-280</a>	2	Circlip
9	<a href="#">3402-221</a>	1	Bearing - Middle	18	<a href="#">3402-227</a>	1	Seal, Oil
10	<a href="#">3402-055</a>	1	Bearing - Left	19	<a href="#">3402-306</a>	1	Piston Set (+0.5 mm)
11	<a href="#">3423-053</a>	1	O-Ring		<a href="#">3402-307</a>	1	Piston Set (+1.0 mm)

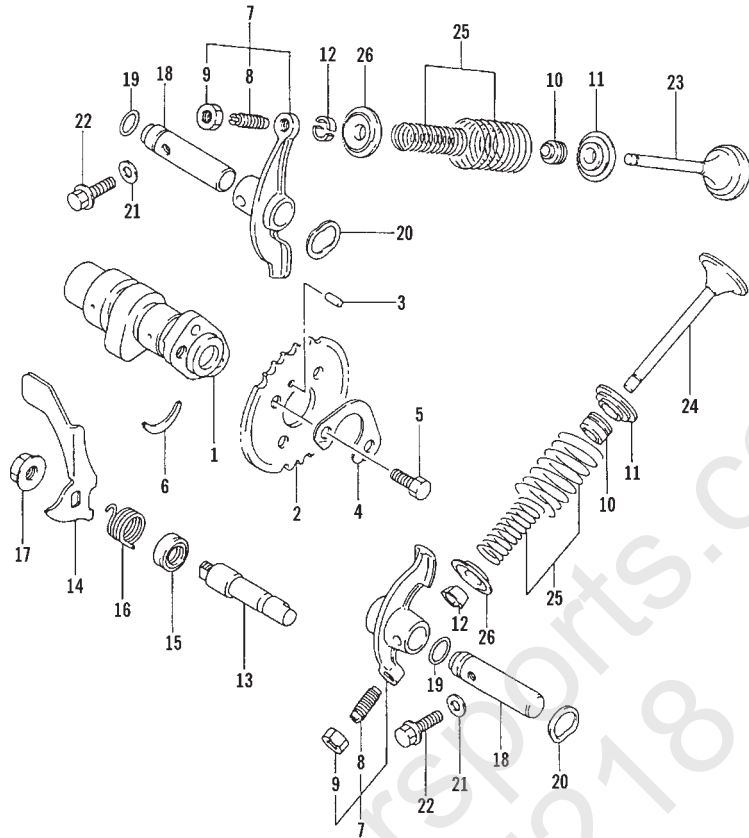
300 2x4  
300 4x4



## STARTER CLUTCH ASSEMBLY

0733-748

Ref.	Part No.	Qty.	Description	Ref.	Part No.	Qty.	Description
1	<u>3402-274</u>	1	Gear, Starter Idler	4	<u>3402-273</u>	1	Clutch Set, Starter (inc. 5)
2	<u>3423-267</u>	1	Pin	5	<u>3402-222</u>	1	• Bearing
3	<u>3402-145</u>	1	Spacer	6	<u>3423-309</u>	3	Screw, Cap

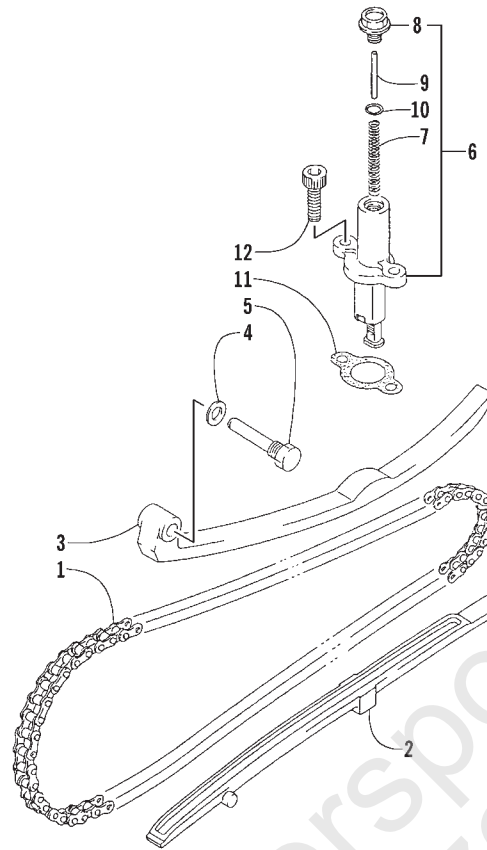


## CAM SHAFT VALVE ASSEMBLY

0733-749

Ref.	Part No.	Qty.	Description	Ref.	Part No.	Qty.	Description
1	<u>3402-275</u>	1	Cam Shaft	14	<u>3402-296</u>	1	Lever, Decompression
2	<u>3402-326</u>	1	Sprocket	15	<u>3402-225</u>	1	Seal, Oil
3	<u>3423-047</u>	1	Pin	16	<u>3402-242</u>	1	Spring
4	<u>3423-284</u>	1	Washer	17	<u>3004-326</u>	1	Nut
5	<u>3423-013</u>	2	Screw, Cap	18	<u>3402-289</u>	2	Shaft, Rocker Arm
6	<u>3423-071</u>	1	C-Ring	19	<u>3423-052</u>	2	O-Ring
7	<u>3402-288</u>	2	Arm, Valve Rocker (inc. 8-9)	20	<u>3423-259</u>	2	Washer
8	<u>3423-287</u>	2	• Screw, Cap	21	<u>3003-290</u>	2	Gasket
9	<u>3423-288</u>	2	• Nut	22	<u>3004-376</u>	2	Screw, Cap
10	<u>3402-226</u>	2	Seal, Oil	23	<u>3402-290</u>	1	Valve, Intake
11	<u>3402-294</u>	2	Seat, Spring	24	<u>3402-291</u>	1	Valve, Exhaust
12	<u>0693-281</u>	4	Cotter, Valve	25	<u>3402-292</u>	2	Spring Set, Valve
13	<u>3402-295</u>	1	Shaft, Decompression	26	<u>3402-293</u>	2	Retainer, Spring

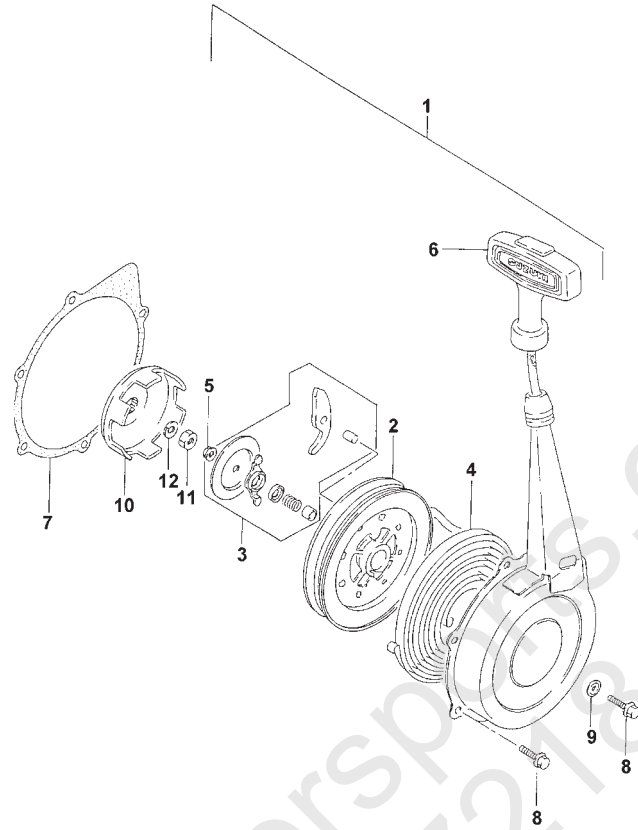
300 2x4  
300 4x4



## CAM CHAIN ASSEMBLY

0733-750

Ref.	Part No.	Qty.	Description	Ref.	Part No.	Qty.	Description
1	<a href="#">3402-281</a>	1	Chain, Cam	7	<a href="#">3402-284</a>	1	• Spring
2	<a href="#">3402-277</a>	1	Guide, Cam Chain	8	<a href="#">3402-285</a>	1	• Plug
3	<a href="#">3402-282</a>	1	Tensioner, Cam Chain	9	<a href="#">3402-286</a>	1	• Bar
4	<a href="#">3423-074</a>	1	Screw, Cap	10	<a href="#">3423-286</a>	1	• O-Ring
5	<a href="#">3003-188</a>	1	Washer	11	<a href="#">3402-287</a>	1	Gasket, Adjuster
6	<a href="#">3402-283</a>	1	Adjuster, Tensioner - Assembly (inc. 7-10)	12	<a href="#">3004-576</a>	2	Screw, Cap

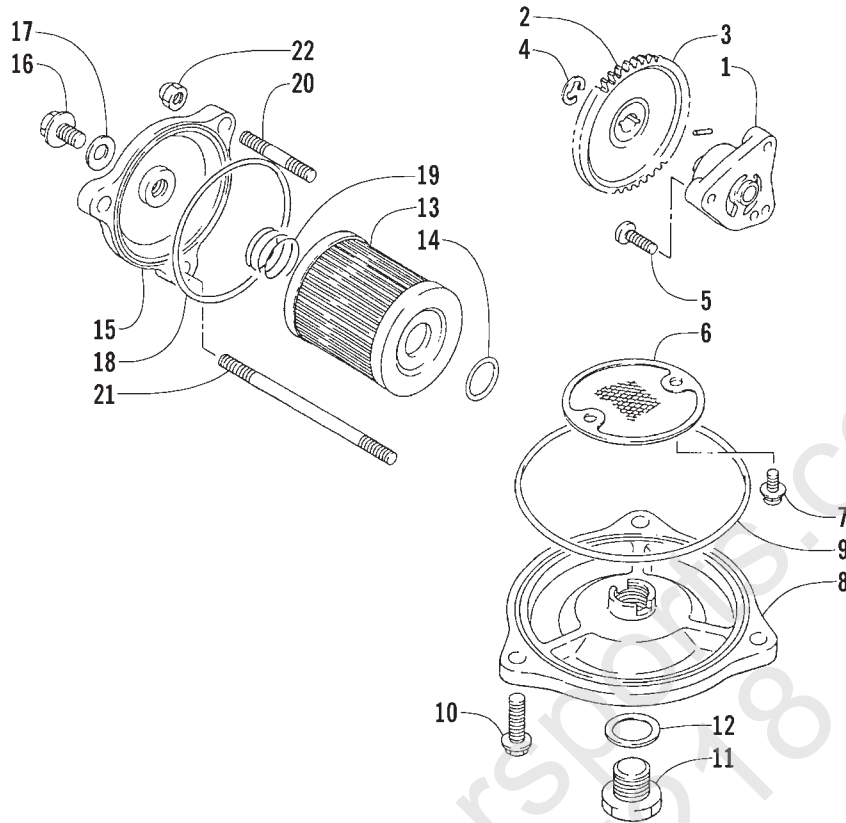


## RECOIL STARTER ASSEMBLY

0733-751

Ref.	Part No.	Qty.	Description	Ref.	Part No.	Qty.	Description
1	<u>3445-018</u>	1	Starter, Recoil - Assembly (inc. 2-6)	7	<u>3445-021</u>	1	Gasket, Recoil
2	<u>3445-019</u>	1	• Reel	8	<u>3423-112</u>	6	Screw, Cap
3	<u>3445-016</u>	1	• Ratchet - Assembly	9	<u>3003-290</u>	1	Gasket
4	<u>3445-007</u>	1	• Spring, Spiral	10	<u>3445-022</u>	1	Cup, Starter
5	<u>3004-488</u>	1	• Nut	11	<u>3004-336</u>	1	Nut
6	<u>3445-020</u>	1	• Rope-Assembly	12	<u>3004-362</u>	1	Washer, Lock

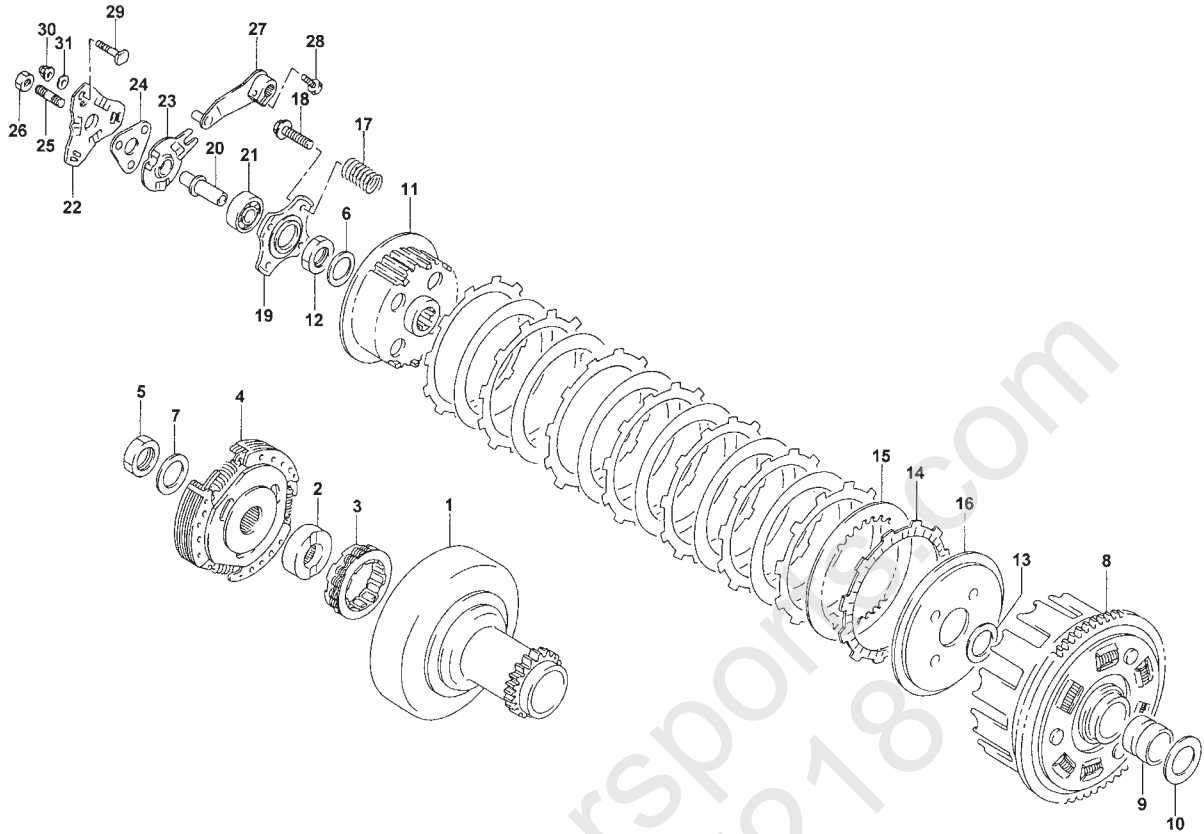
300 2x4  
300 4x4



## OIL PUMP ASSEMBLY

0733-752

Ref.	Part No.	Qty.	Description	Ref.	Part No.	Qty.	Description
1	<u>3445-017</u>	1	Pump, Engine Oil	12	<u>3402-012</u>	1	Gasket
2	<u>3402-302</u>	1	Gear, Driven	13	<u>3436-005</u>	1	Filter, Engine Oil
3	<u>3423-285</u>	1	Pin	14	<u>3423-270</u>	1	O-Ring
4	<u>3423-168</u>	1	Circlip	15	<u>3402-303</u>	1	Cap, Oil Filter
5	<u>3004-402</u>	3	Screw, Cap	16	<u>3004-705</u>	1	Plug, Oil Check
6	<u>3402-304</u>	1	Strainer, Engine Oil	17	<u>3005-242</u>	1	Gasket
7	<u>0693-389</u>	2	Screw, Cap	18	<u>3423-277</u>	1	O-Ring
8	<u>3402-305</u>	1	Cap, Oil Strainer	19	<u>3402-238</u>	1	Spring
9	<u>3423-278</u>	1	O-Ring	20	<u>3423-314</u>	2	Bolt, Stud
10	<u>3004-507</u>	3	Screw, Cap	21	<u>3004-543</u>	1	Bolt, Stud
11	<u>3402-036</u>	1	Plug, Drain	22	<u>3423-315</u>	3	Nut



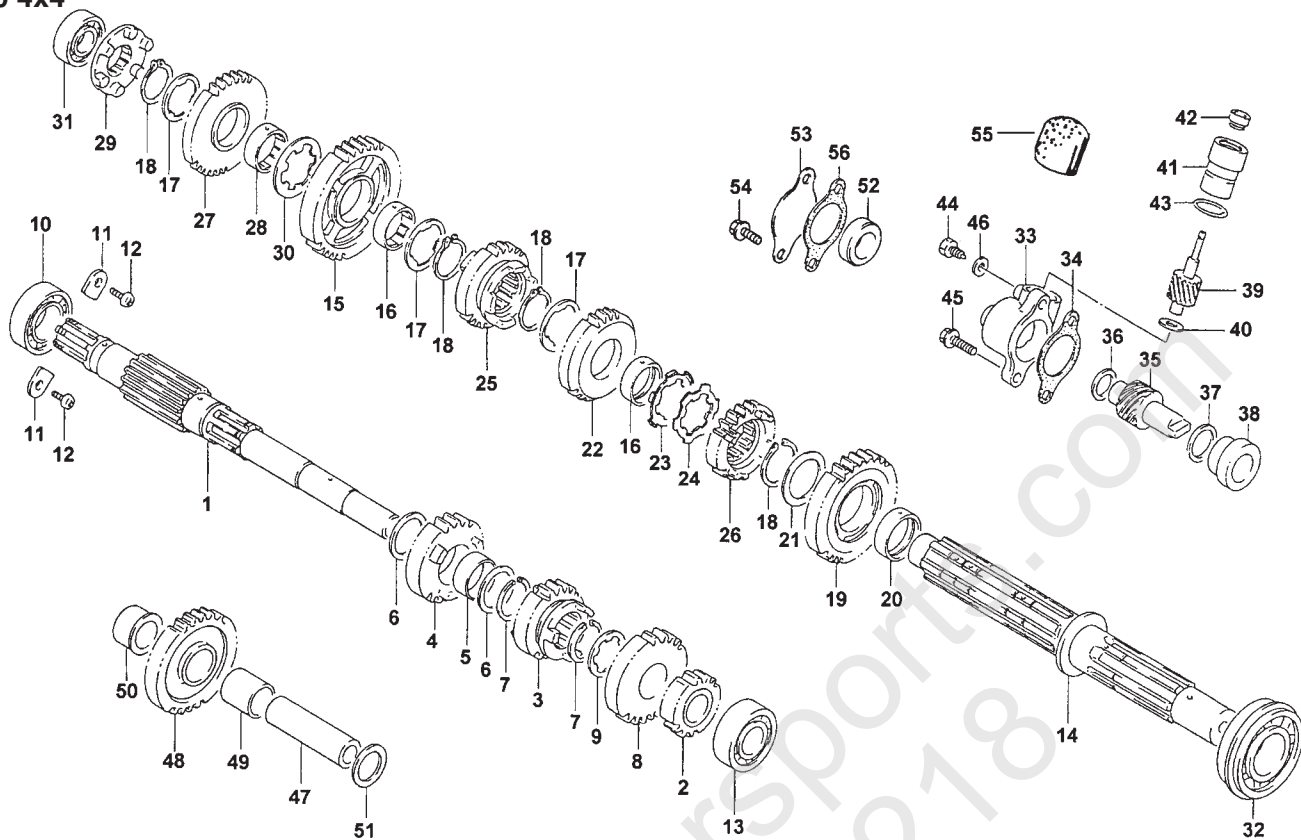
## CLUTCH ASSEMBLY

0733-753

Ref.	Part No.	Qty.	Description	Ref.	Part No.	Qty.	Description
1	3446-120	1	Gear, Primary Drive	17	3402-239	4	Spring
2	3446-129	1	Race, Inner	18	3004-341	4	Screw, Cap
3	3446-122	1	Clutch, One Way	19	3446-127	1	Plate, Release
4	3446-128	1	Clutch-Assembly	20	3446-130	1	Piece, Push
5	3423-253	1	Nut	21	3402-043	1	Bearing
6	3423-032	1	Washer, Lock	22	3446-133	1	Guide, Ball - Outer
7	3423-260	1	Washer, Lock	23	3446-131	1	Guide, Ball - Inner
8	3446-121	1	Gear, Primary - Assembly	24	3446-134	1	Ball, Release
9	3402-206	1	Spacer	25	3423-248	1	Screw, Adjuster
10	3402-211	1	Washer	26	3423-022	1	Nut, Adjuster
11	3446-123	1	Hub, Clutch	27	3446-132	1	Arm, Release
12	3423-254	1	Nut	28	3423-125	1	Screw, Cap
13	3423-316	1	Washer	29	3423-245	3	Screw, Cap
14	3446-124	8	Plate, Drive	30	0693-316	3	Nut
15	3446-125	7	Plate, Driven	31	3003-290	3	Seal, Cap Screw
16	3446-126	1	Disc, Pressure				

300 2x4

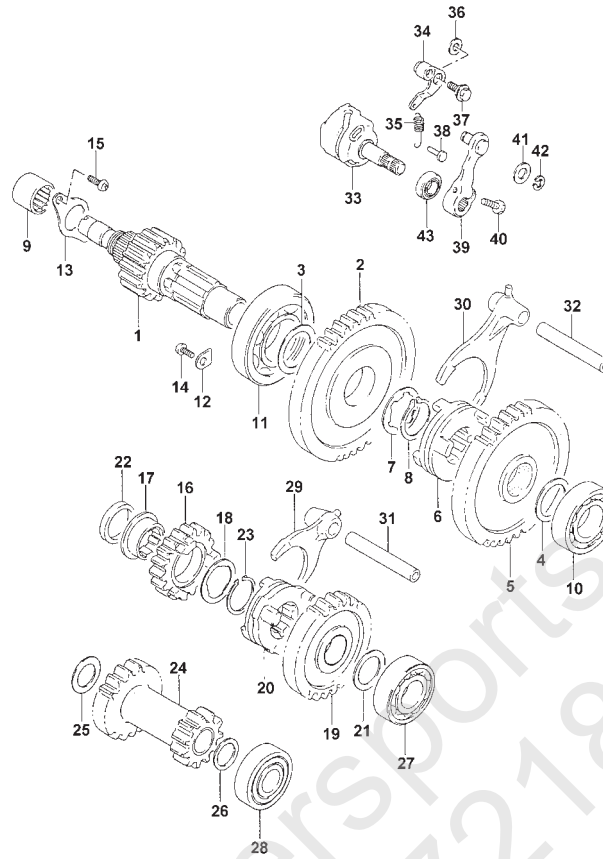
300 4x4



## TRANSMISSION ASSEMBLY

733-754A

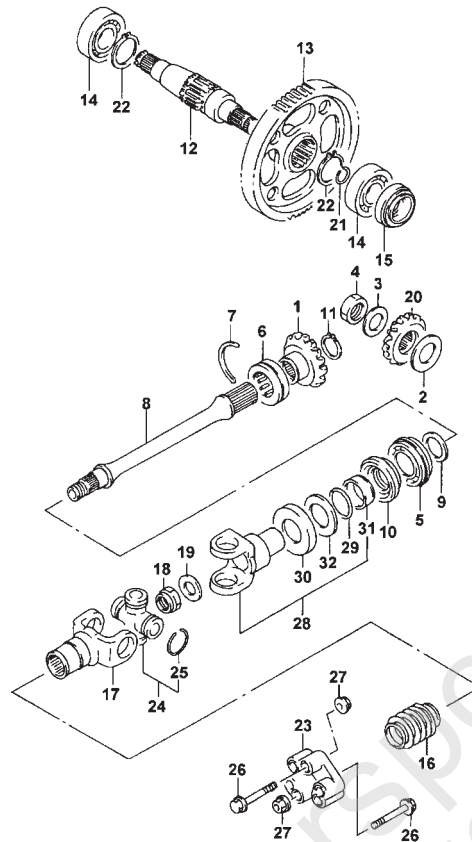
Ref.	Part No.	Qty.	Description	Ref.	Part No.	Qty.	Description
1	<a href="#">3446-135</a>	1	Shaft, Counter	29	<a href="#">3446-152</a>	1	Dog
2	<a href="#">3446-137</a>	1	Gear, 2nd Drive	30	<a href="#">3423-263</a>	1	Washer
3	<a href="#">3446-138</a>	1	Gear, 3rd Drive	31	<a href="#">3402-218</a>	1	Bearing - Right
4	<a href="#">3446-139</a>	1	Gear, 4th Drive	32	<a href="#">3402-220</a>	1	Bearing - Middle
5	<a href="#">3402-229</a>	1	Bush	33	<a href="#">3446-057</a>	1	Housing, Odometer Gear (4x4)
6	<a href="#">3402-210</a>	2	Washer	34	<a href="#">3446-059</a>	1	Gasket (4x4)
7	<a href="#">3423-279</a>	2	Circlip	35	<a href="#">3446-228</a>	1	Gear, Odometer Drive (4x4)
8	<a href="#">3446-140</a>	1	Gear, 5th Drive	36	<a href="#">3423-336</a>	1	Washer - Right (4x4)
9	<a href="#">3423-261</a>	1	Washer	37	<a href="#">3423-337</a>	1	Washer - Left (4x4)
10	<a href="#">0691-374</a>	1	Bearing - Right	38	<a href="#">3446-114</a>	1	Spacer (4x4)
11	<a href="#">3446-031</a>	2	Retainer	39	<a href="#">3446-229</a>	1	Gear, Odometer Driven (4x4)
12	<a href="#">3004-552</a>	2	Screw, Cap	40	<a href="#">3423-144</a>	1	Washer (4x4)
13	<a href="#">3402-224</a>	1	Bearing, Middle	41	<a href="#">3446-058</a>	1	Sleeve (4x4)
14	<a href="#">3446-136</a>	1	Driveshaft	42	<a href="#">3402-077</a>	1	Seal, Oil (4x4)
15	<a href="#">3446-141</a>	1	Gear, 1st Driven	43	<a href="#">3423-056</a>	1	O-Ring (4x4)
16	<a href="#">3446-144</a>	2	Bush	44	<a href="#">3423-143</a>	1	Screw, Cap (4x4)
17	<a href="#">3423-036</a>	3	Washer, Lock	45	<a href="#">3004-507</a>	2	Screw, Cap (4x4)
18	<a href="#">3423-066</a>	4	Circlip	46	<a href="#">3402-009</a>	1	Washer (4x4)
19	<a href="#">3446-142</a>	1	Gear, 2nd Driven	47	<a href="#">3446-148</a>	1	Shaft, Reverse Idle
20	<a href="#">3402-230</a>	1	Bush	48	<a href="#">3446-149</a>	1	Gear, Reverse Idle
21	<a href="#">3423-317</a>	1	Washer	49	<a href="#">3402-228</a>	1	Bush
22	<a href="#">3446-143</a>	1	Gear, 3rd Driven	50	<a href="#">3446-150</a>	1	Spacer
23	<a href="#">3423-266</a>	1	Washer, Lock	51	<a href="#">3402-209</a>	1	Washer
24	<a href="#">3423-262</a>	1	Washer, Lock	52	<a href="#">3402-255</a>	1	Plug, Cover Hole (2x4)
25	<a href="#">3446-146</a>	1	Gear, 4th Driven	53	<a href="#">3446-153</a>	1	Retainer, Cover Plug (2x4)
26	<a href="#">3446-147</a>	1	Gear, 5th Driven	54	<a href="#">3423-231</a>	2	Bolt, Retainer (2x4)
27	<a href="#">3446-151</a>	1	Gear, Reverse Driven	55	<a href="#">0402-160</a>	1	Cap, Speedometer Drive
28	<a href="#">3446-145</a>	1	Bush	56	<a href="#">3446-231</a>	1	Gasket



## SECONDARY TRANSMISSION ASSEMBLY

0733-755

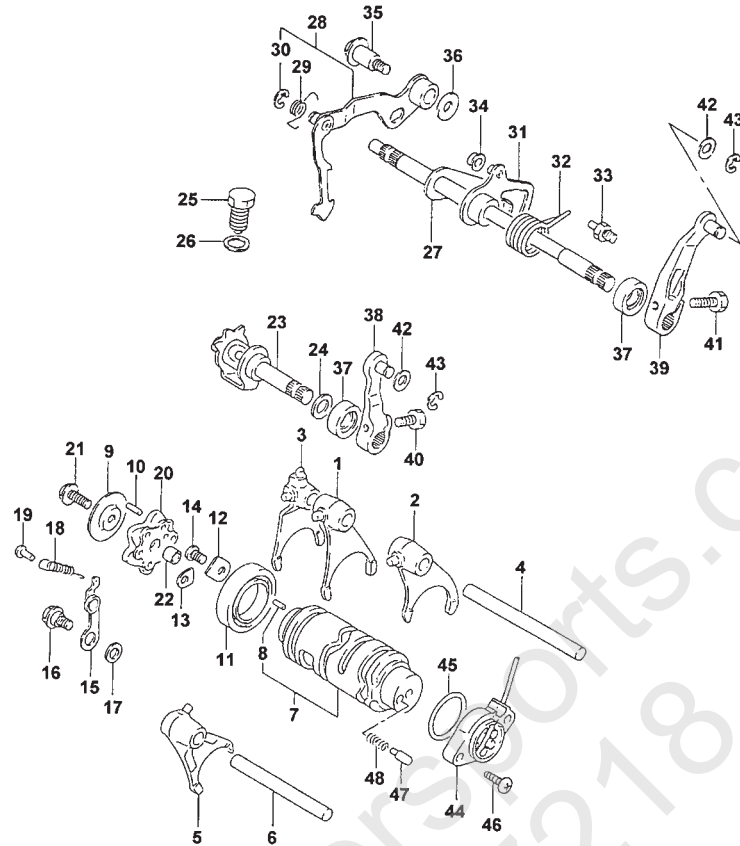
Ref.	Part No.	Qty.	Description	Ref.	Part No.	Qty.	Description
1	<u>3446-206</u>	1	Shaft, Sub Transmission (4x4)	22	<u>3402-207</u>	1	Spacer
	<u>3446-179</u>	1	Shaft, Sub Transmission (2x4)	23	<u>3423-066</u>	1	Circlip
2	<u>3446-207</u>	1	Gear, Driven (4x4)	24	<u>3446-180</u>	1	Gear, Idler
	<u>3446-184</u>	1	Gear, Driven (2x4)	25	<u>3402-205</u>	1	Washer
3	<u>3423-338</u>	1	Washer - Right (4x4)	26	<u>3423-319</u>	1	Washer
4	<u>3423-298</u>	1	Washer - Left (4x4)	27	<u>3003-261</u>	1	Bearing, Drive - Left
5	<u>3446-208</u>	1	Gear, Driven (4x4)	28	<u>3402-217</u>	1	Bearing, Counter - Left
6	<u>3446-209</u>	1	Dog, Driven Gear (4x4)	29	<u>3446-185</u>	1	Fork
7	<u>3423-317</u>	1	Washer (4x4)	30	<u>3446-210</u>	1	Fork (4x4)
8	<u>3423-318</u>	1	Circlip	31	<u>3446-168</u>	1	Shaft
9	<u>3402-278</u>	1	Bearing - Right	32	<u>3446-230</u>	1	Shaft (4x4)
10	<u>3004-209</u>	1	Bearing - Left	33	<u>3446-211</u>	1	Cam, Sub Transmission Gear (4x4)
11	<u>3402-055</u>	1	Bearing - Middle		<u>3446-186</u>	1	Cam, Sub Transmission Gear (2x4)
12	<u>3446-031</u>	2	Retainer	34	<u>3446-187</u>	1	Stopper
13	<u>3446-154</u>	1	Retainer	35	<u>3402-241</u>	1	Spring
14	<u>3004-552</u>	2	Screw, Cap	36	<u>3423-141</u>	1	Washer
15	<u>0693-321</u>	2	Screw, Cap	37	<u>3423-240</u>	1	Screw, Cap
16	<u>3446-181</u>	1	Gear, Drive	38	<u>3423-268</u>	1	Pin (4x4)
17	<u>3446-069</u>	1	Bush	39	<u>3446-116</u>	1	Arm
18	<u>3423-036</u>	1	Washer	40	<u>3423-125</u>	1	Screw, Cap
19	<u>3446-182</u>	1	Gear, Drive	41	<u>3423-204</u>	1	Washer
20	<u>3446-183</u>	1	Dog, Drive Gear	42	<u>3423-168</u>	1	E-Ring
21	<u>3402-195</u>	1	Washer	43	<u>3402-076</u>	1	Seal, Oil



## SECONDARY GEAR/PROPELLER SHAFT ASSEMBLY

0733-756

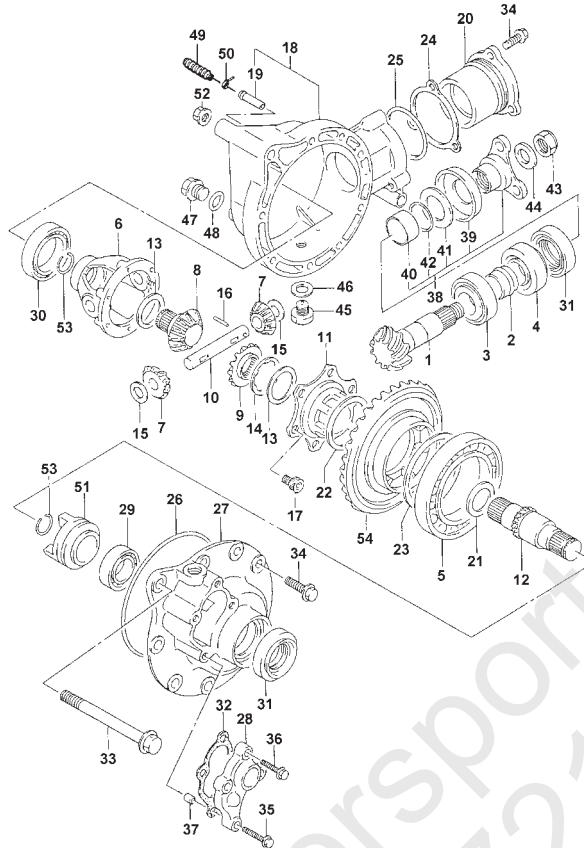
Ref.	Part No.	Qty.	Description	Ref.	Part No.	Qty.	Description
1	<u>3446-197</u>	1	Gear, Secondary Drive Bevel (4x4)	11	<u>3423-340</u>	1	Circlip (4x4)
2	3446-035	1	Shim Set, Secondary Drive Bevel (4x4)	12	<u>3446-176</u>	1	Shaft, Rear Final Driven
3	3423-032	1	Washer (4x4)	13	<u>3446-175</u>	1	Gear, Driven
4	3423-254	1	Nut (4x4)	14	<u>3402-219</u>	2	Bearing
5	3402-067	1	Bearing, Front (4x4)	15	3402-072	2	Seal, Oil
6	3402-062	1	Bearing, Rear (4x4)	16	3435-005	1	Boot (4x4)
7	3423-072	1	Ring (4x4)	17	3435-002	1	Yoke, Propeller Shaft Joint (4x4)
8	<u>3446-199</u>	1	Shaft, Secondary Output (4x4)	18	3423-025	1	Nut (4x4)
9	<u>3402-308</u>	1	Shim, 25 x 34 x 0.50 mm (4x4)	19	3423-028	1	Washer (4x4)
	3402-017	1	Shim, 25 x 34 x 0.60 mm (4x4)	20	<u>3446-198</u>	1	Gear, Secondary Driven Bevel (4x4)
	3402-018	1	Shim, 25 x 34 x 0.65 mm (4x4)	21	<u>3423-281</u>	2	Ring
	3402-019	1	Shim, 25 x 34 x 0.70 mm (4x4)	22	<u>3423-321</u>	2	Circlip
	3402-020	1	Shim, 25 x 34 x 0.75 mm (4x4)	23	<u>3435-007</u>	1	Coupling (4x4)
	3402-021	1	Shim, 25 x 34 x 0.80 mm (4x4)	24	<u>3435-011</u>	1	Joint, Universal (inc. 25) (4x4)
	3402-022	1	Shim, 25 x 34 x 0.85 mm (4x4)	25	3423-067	4	• Circlip
	3402-023	1	Shim, 25 x 34 x 0.90 mm (4x4)	26	3423-182	6	Screw, Cap (4x4)
	3402-024	1	Shim, 25 x 34 x 0.95 mm (4x4)	27	3004-491	6	Nut (4x4)
	3402-025	1	Shim, 25 x 34 x 1 mm (4x4)	28	3435-001	1	Yoke, Front Drive Output (inc. 28-32) (4x4)
	3402-028	1	Shim, 25 x 34 x 1.05 mm (4x4)	29	3423-060	1	• O-Ring
	3402-029	1	Shim, 25 x 34 x 1.10 mm (4x4)	30	3423-035	1	• Plate
	3402-030	1	Shim, 25 x 34 x 1.15 mm (4x4)	31	3435-029	1	• Collar
	3402-031	1	Shim, 25 x 34 x 1.20 mm (4x4)	32	3435-030	1	• Plate, Oil Seal
10	3402-072	1	Seal, Oil				



## GEAR SHIFTING ASSEMBLY

0733-757

Ref.	Part No.	Qty.	Description	Ref.	Part No.	Qty.	Description
1	<a href="#">3446-155</a>	1	Fork, Gear Shifting	25	<a href="#">3446-164</a>	1	Stopper, Cam
2	<a href="#">3446-156</a>	1	Fork, Gear Shifting	26	<a href="#">3402-012</a>	1	Gasket
3	<a href="#">3446-159</a>	1	Fork, Gear Shifting	27	<a href="#">3446-169</a>	1	Shaft, Gear Shifting
4	<a href="#">3446-167</a>	1	Shaft	28	<a href="#">3446-170</a>	1	Arm, Gear Shifting (inc. 29-30)
5	<a href="#">3446-157</a>	1	Fork, Gear Shifting	29	<a href="#">3402-312</a>	1	• Spring
6	<a href="#">3446-051</a>	1	Shaft	30	<a href="#">3423-323</a>	1	• E-Ring
7	<a href="#">3446-160</a>	1	Cam, Gear Shifting (inc. 8)	31	<a href="#">3446-171</a>	1	Arm, Link
8	<a href="#">3423-114</a>	1	• Pin	32	<a href="#">3402-094</a>	1	Spring
9	<a href="#">3446-162</a>	1	Retainer, Pin	33	<a href="#">3446-172</a>	1	Stopper, Arm
10	<a href="#">3423-045</a>	6	Pin	34	<a href="#">3402-132</a>	1	Roller
11	<a href="#">3402-051</a>	1	Bearing	35	<a href="#">3423-233</a>	1	Screw, Cap
12	<a href="#">3446-163</a>	1	Retainer	36	<a href="#">3423-324</a>	1	Washer
13	<a href="#">3446-031</a>	1	Retainer	37	<a href="#">3402-076</a>	2	Seal, Oil
14	<a href="#">3004-552</a>	2	Screw, Cap	38	<a href="#">3446-055</a>	1	Arm
15	<a href="#">3446-165</a>	1	Stopper, Cam	39	<a href="#">3446-115</a>	1	Arm, Gear Shifting Cable
16	<a href="#">3423-240</a>	1	Screw, Cap	40	<a href="#">3423-125</a>	1	Screw, Cap
17	<a href="#">3423-141</a>	1	Washer	41	<a href="#">3423-228</a>	1	Screw, Cap
18	<a href="#">3402-240</a>	1	Spring	42	<a href="#">3423-204</a>	2	Washer
19	<a href="#">3423-268</a>	1	Pin	43	<a href="#">3423-168</a>	2	E-Ring
20	<a href="#">3446-166</a>	1	Plate, Stopper	44	<a href="#">3430-032</a>	1	Base, Gear Shift-Assembly
21	<a href="#">3004-376</a>	1	Screw, Cap	45	<a href="#">3423-273</a>	1	O-Ring
22	<a href="#">3005-206</a>	1	Pin	46	<a href="#">3423-325</a>	2	Screw, Cap
23	<a href="#">3446-161</a>	1	Cam, Reverse Shifting	47	<a href="#">3423-044</a>	1	Contact
24	<a href="#">3423-322</a>	1	Washer	48	<a href="#">3402-087</a>	1	Spring

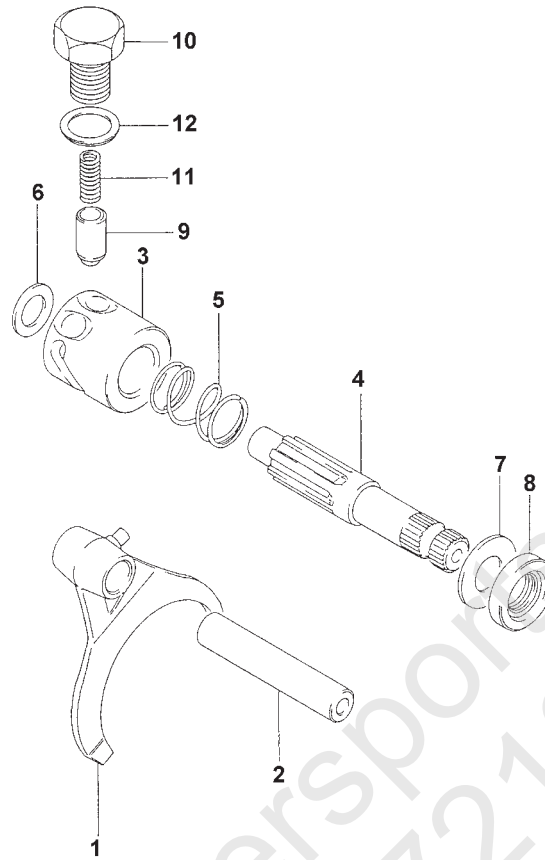


## DIFFERENTIAL GEAR ASSEMBLY

Complete Assembly p/n 3502-001

0733-758 \*Not in Assembly

Ref.	Part No.	Qty.	Description	Ref.	Part No.	Qty.	Description
1	<u>3435-068</u>	1	Gear, Front Drive Bevel	27	<u>3435-078</u>	1	Case, Driven Gear Bearing
2	3402-016	1	Spacer	28	<u>3435-079</u>	1	Cover
3	3402-065	1	Bearing, Front	29	3402-185	1	Bearing, Left
4	3402-066	1	Bearing, Rear	30	3402-057	1	Bearing, Right
5	3402-059	1	Bearing	31	3402-072	3	Seal, Oil
6	<u>3435-076</u>	1	Case, Differential	32	<u>3402-323</u>	1	Gasket, Case Cover
7	<u>3435-071</u>	2	Pinion, Differential Side	33	3423-010	2	Screw, Cap
8	<u>3435-072</u>	1	Gear, Right	34	3423-175	11	Screw, Cap
9	<u>3435-080</u>	1	Gear, Left	35	0693-327	2	Screw, Cap
10	<u>3435-073</u>	1	Shaft, Pinion	36	3004-756	2	Screw, Cap
11	<u>3435-070</u>	1	Hub	37	3005-206	2	Pin
12	<u>3435-074</u>	1	Shaft, Driven Output	38	3435-009	1	Flange, Drive Bevel Gear (inc. 39-42)
13	<u>3423-294</u>	AR	Washer	39	3423-034	1	• Plate
	<u>3423-295</u>	AR	Washer	40	3435-029	1	• Collar
	<u>3423-296</u>	AR	Washer	41	3435-030	1	• Plate, Oil Seal
14	<u>3423-297</u>	1	Washer	42	3423-060	1	• O-Ring
15	<u>3423-293</u>	2	Washer	43	3423-178	1	Nut
16	<u>3402-309</u>	1	Pin, Pinion Shaft	44	3423-028	1	Washer
17	<u>3423-309</u>	6	Screw, Cap	45	3402-036	1	Plug, Drain
18	<u>3435-077</u>	1	Housing, Differential Gear (inc. 19)	46	3402-012	1	Gasket
19	3402-084	1	• Union, Breather	47	3402-038	1	Plug, Filler
20	3435-021	1	Housing, Drive Bevel Gear	48	3423-054	1	O-Ring
21	<u>3423-317</u>	1	Washer	49	0402-147	1	Bladder, Case*
22	3435-017	1	Shim Set, Front Drive Bevel Gear	50	0123-811	1	Tie, Cable*
23	3435-020	1	Shim Set, Drive Gear Bearing	51	<u>3435-075</u>	1	Dog
24	3435-020	1	Shim Set, Front Drive Bevel Housing	52	<u>3423-341</u>	2	Nut
25	3423-064	1	O-Ring	53	3423-070	2	Circlip
26	3423-050	1	O-Ring	54	<u>3435-069</u>	1	Gear, Front Driven Bevel

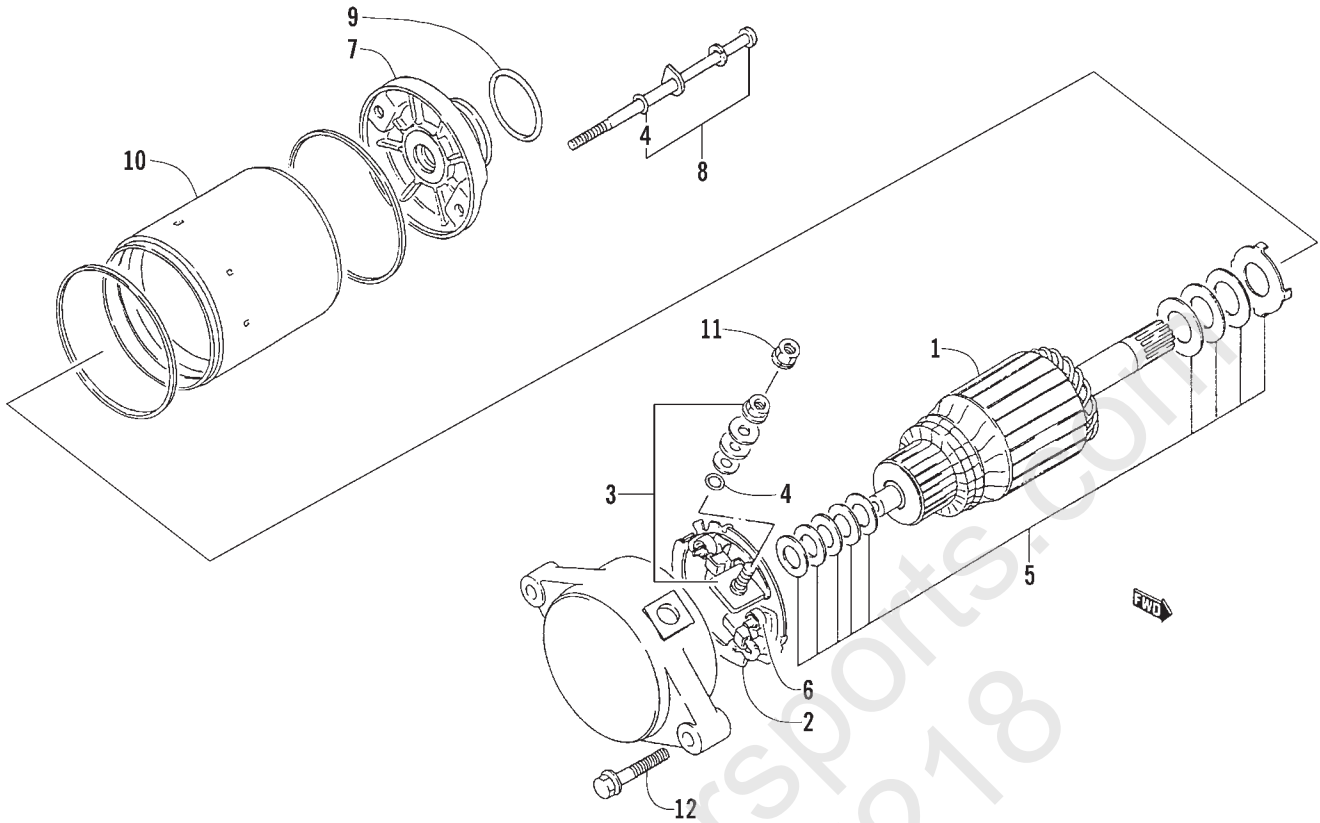


## DIFFERENTIAL LOCK ASSEMBLY

0733-759

Ref.	Part No.	Qty.	Description	Ref.	Part No.	Qty.	Description
1	3446-205	1	Fork, Differential Locking	7	3423-339	1	Washer, Left
2	3446-202	1	Shaft, Fork	8	3402-076	1	Seal, Oil
3	3446-203	1	Cam, Differential Locking	9	3446-119	1	Stopper
4	3446-204	1	Shaft, Cam	10	3446-046	1	Housing
5	3402-311	1	Spring	11	3402-089	1	Spring
6	3423-300	1	Washer, Right	12	3402-012	1	Gasket

300 2x4  
300 4x4

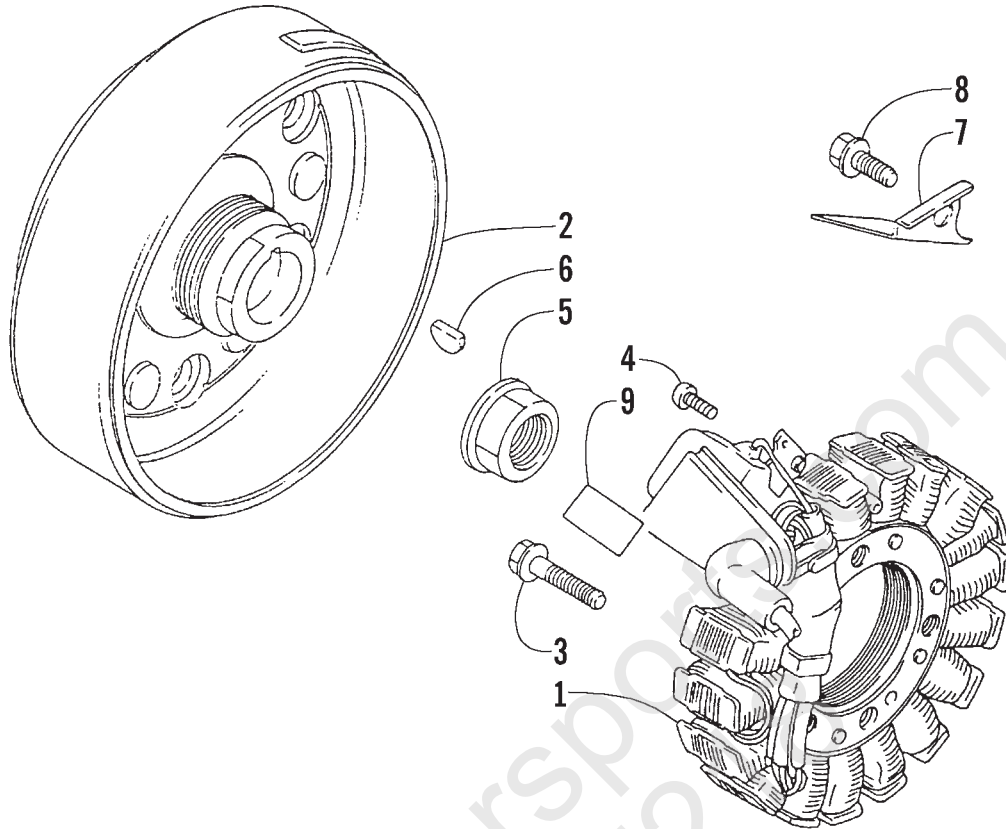


## STARTER MOTOR ASSEMBLY

0733-760

Complete Assembly p/n 3545-003

Ref.	Part No.	Qty.	Description	Ref.	Part No.	Qty.	Description
1	3008-554	1	Armature	7	3008-552	1	Bracket, Front - Assembly
2	3008-550	1	Holder Set, Brush	8	<del>3423-289</del>	2	Bolt Set (inc. 4)
3	3008-549	1	Terminal Set, Brush (inc. 4)	9	<del>3423-272</del>	1	O-Ring
4	3008-164	3	• O-Ring	10	3008-553	2	O-Ring
5	3008-099	1	Washer Set	11	3423-195	1	Nut
6	3008-551	2	Spring, Brush	12	3004-756	2	Screw, Cap

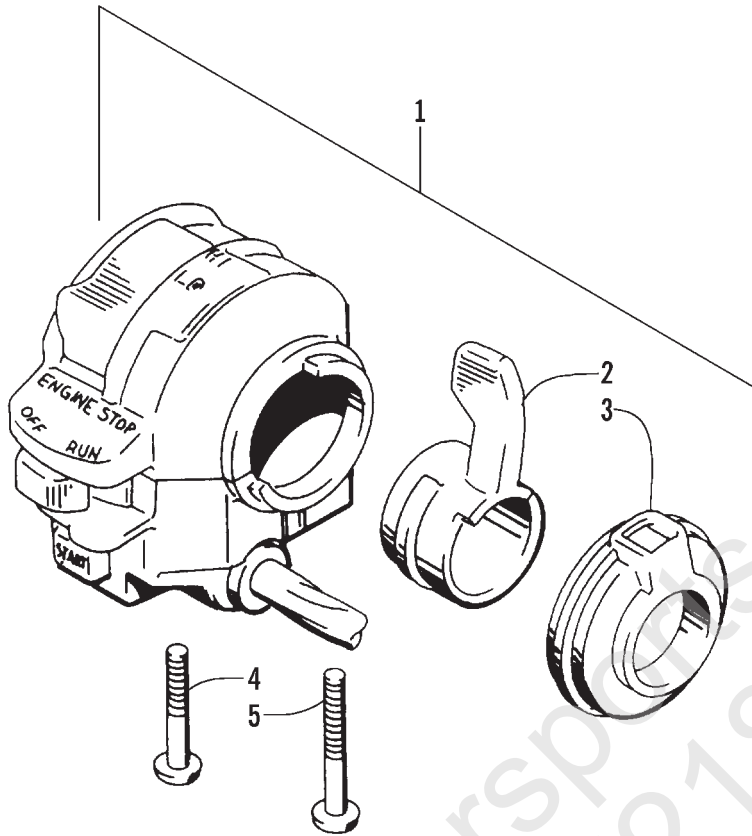


## MAGNETO ASSEMBLY

0733-761

Ref.	Part No.	Qty.	Description	Ref.	Part No.	Qty.	Description
1	3430-021	1	Stator - Assembly	6	3004-540	1	Key
2	3430-022	1	Rotor	7	3430-023	1	Plate
3	3004-756	3	Bolt, Magneto	8	3423-112	1	Screw, Cap
4	3423-326	2	Screw, Cap	9	3430-036	1	Sheet, Heat Protection
5	3423-086	1	Nut, Magneto				

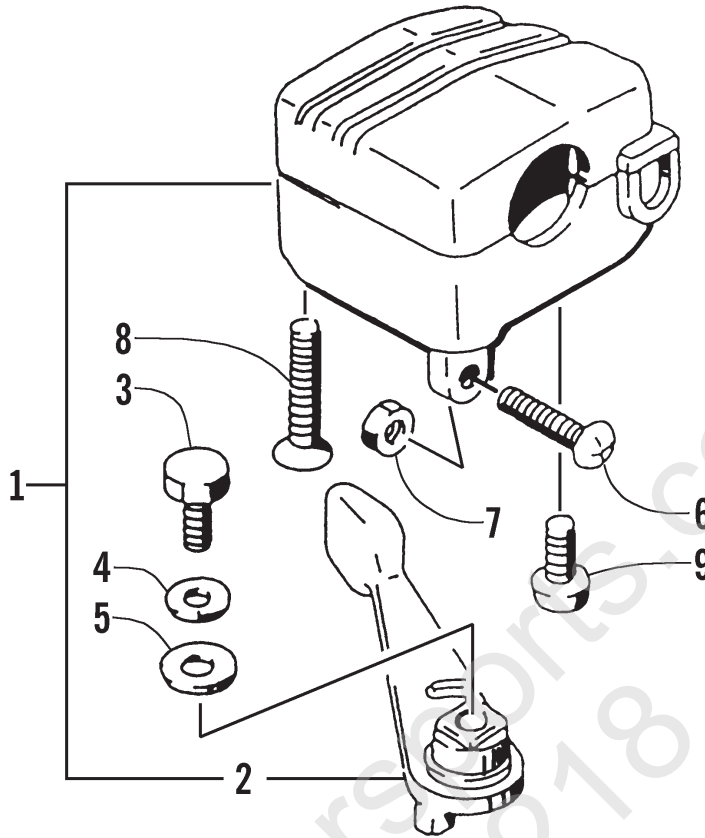
300 2x4  
300 4x4



## CONTROL SWITCH HOUSING ASSEMBLY

0732-323

Ref.	Part No.	Qty.	Description	Ref.	Part No.	Qty.	Description
1	3409-002	1	Switch, Handle - Assembly (inc. 2-5)	4	3423-196	1	• Screw, Cap
2	3409-009	1	• Lever, Choke	5	3423-197	1	• Screw, Cap
3	3409-010	1	• Cover, Choke				



## THROTTLE CASE ASSEMBLY

0732-324

Ref.	Part No.	Qty.	Description	Ref.	Part No.	Qty.	Description
1	3409-005	1	Case, Throttle - Assembly (inc. 2-9)	6	3423-014	1	• Screw, Cap
2	3409-001	1	• Lever	7	3423-327	1	• Nut
3	3004-533	1	• Screw, Cap	8	3423-199	2	• Screw, Cap
4	3004-447	1	• Washer, Lock	9	3004-638	1	• Screw, Cap
5	3003-030	1	• Washer				

# Related Items

Model No. 98A2C-AP & 98A4C-AP

0470-355	Air Filter	2255-676	Manual, Operator's
0436-016	Accessory Plug Kit	2255-810	Manual, Service (2x4)
0436-115	Blade, 50 in. Snow Plow (4x4)	2255-811	Manual, Service (4x4)
0436-151	Boot Protector (4x4)	0436-121	Mount, Gun Scabbard
0402-096	Brake Pads, Hyd	0436-051	Mounting Bracket, Portable Lights
0402-210	Brake Pads, Mech	0436-117	Mounting Plate, Winch
0409-005	Bulb, Headlight	0436-093	Mud Flap Kit –Front
0109-460	Bulb, Stop/Taillight	0436-015	Mud Flap Kit –Rear (2x4)
0436-043	Cargo Box	3436-005	Oil Filter
0436-139	Cargo Trailer	0436-116	Plow Mounting Kit (4x4)
0436-119	Cleaner, Spray and Rinse	0436-040	Portable Light, Spot
0436-011	Cover, Camo	0436-039	Portable Light, Work
0436-125	Cover, Gray	0436-014	Safety Flag
0436-010	Cover, Black and Green	0217-713	Spark Plug, NGK DR7EA
0436-138	Decal Kit - French (2x4)	0436-129	Speedometer Kit (2x4)
0436-137	Decal Kit - French (4x4)	0436-128	Speedometer Kit (4x4)
0436-005	Engine Oil, 10W-40	0436-032	Tie Down, Black
0436-127	Fan Kit	0436-031	Tie Down, Green
0436-076	Fender Flare Kit –Front (2x4)	0436-101	Tie Down, Ratchet Style –Black
0436-077	Fender Flare Kit –Rear (2x4)	0436-102	Tie Down, Ratchet Style –Orange
3402-260	Gasket Set	0436-042	Tire Repair, Deluxe
0436-006	Gear Lube, 80W-90	0436-041	Tire Repair, Standard
0436-023	Gun Scabbard	0436-045	Tire Sealant
0436-049	Handlebar Heater Kit	0436-034	Tool Holder
0436-141	Lunch Pack, Camo	0436-068	Winch Accessories Kit
0436-122	Lunch Pack, Black	0436-145	Winch Kit
2255-902	Manual, Illustrated Parts		

